



# EOS-96-24V-DMX-ELDO

LINEARdrive 100/S

Constant Voltage DMX/DALI LED Driver

WITH ENCLOSURE

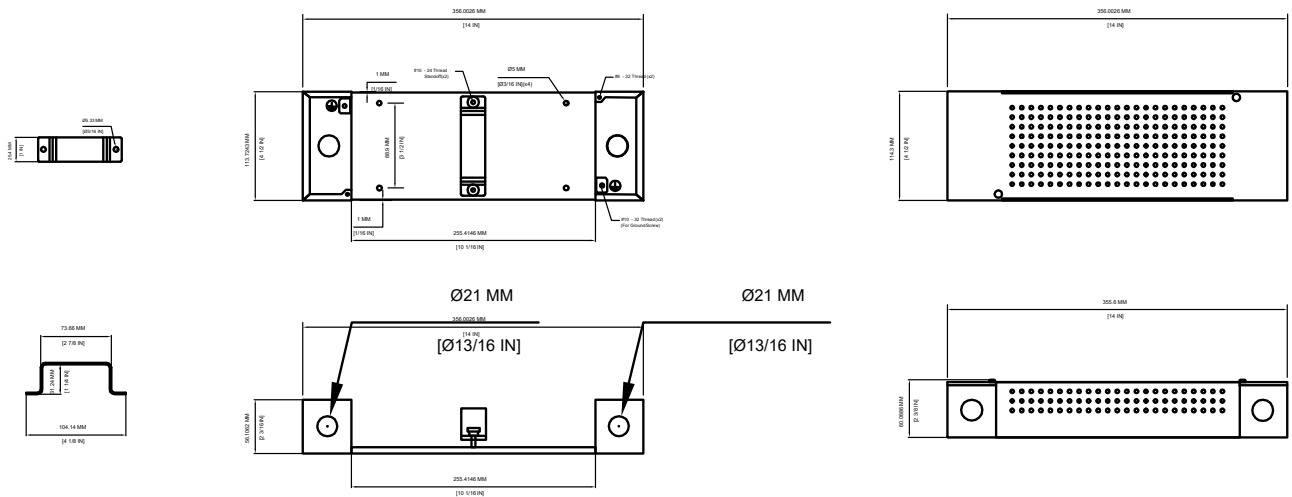
## Driver Attributes

LINEARdrive gives you infinite colour control for low-voltage LED applications ranging from single colour for accent and cove lighting all the way up to RGBW for full colour entertainment product solutions. This constant voltage LED driver is DMX/DALI compatible and allows you to create your colour or dynamic show without an external controller. Symbiosis ensures the LED driver works seamlessly together with LED modules, controls and intelligent luminaire elements.

- LINEARdrive AC
- 100W
- LED output current: 2.8A absolute maximum rating per output
- Nominal input voltage range AC: 120 - 250V (ENEC), 120 - 277V (UL)
- Nominal input voltage DC: 120 - 275V
- DMX/DALI
- UI
- 4 control channels
- UL Class 2
- Constant voltage
- 4x 12/24V outputs
- Square metal



## Enclosure Dimensions



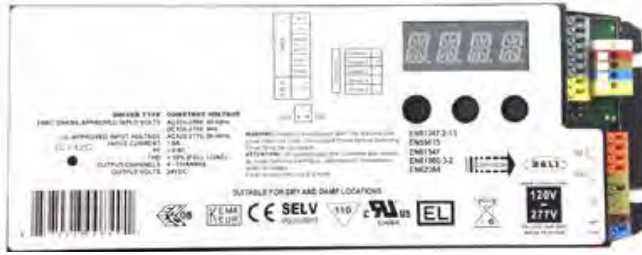


# EOS-96-24V-DMX-ELDO

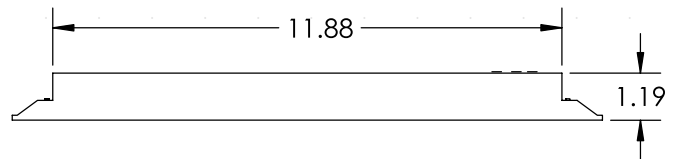
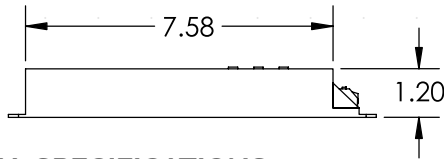
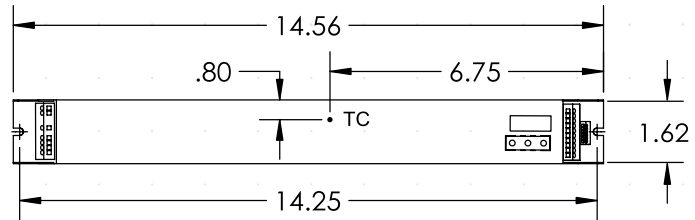
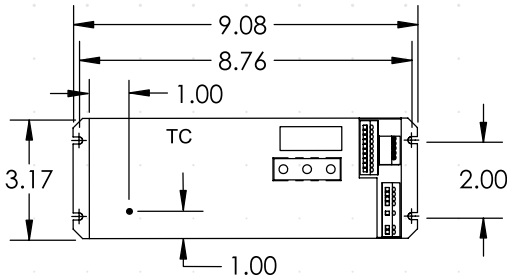
LINEARdrive 100/S

Constant Voltage DMX/DALI LED Driver

**WITH ENCLOSURE**



- Integrated DMX-RDM and DALI control
- Up to 4 DALI or DMX channels available
- 4 constant voltage, independent output channels
- 120-277V Application
- Operates any LED module designed to accept constant voltage input up for rated driver output (e.g. 24V)
- Surge Rating: 3kV (L-N), 4kV (L/N-GRD)



## GENERAL SPECIFICATIONS

INPUT VOLTAGE	120-277V ± 10%, 50/60Hz
INPUT CURRENT (MAX)	1.05A @ 120V 0.5A @ 230V 0.45A @ 277V
POWER FACTOR	>0.99 @ 120V >0.98 @ 230V >0.94 @ 277V
THD	<10% @ Max load
EFFICIENCY	89% @ Max load
SURGE PROTECTION	3kV(L-N), 4kV (L/N-GRD)
CONSTANT CURRENT, VOLTAGE OR POWER	Constant Voltage
OUTPUT CURRENT (CLASS 2)	1.05A/channel
OUTPUT VOLTAGE	24V
OUTPUT SHORT CIRCUIT PROTECTION	YES
OUTPUT OPEN CIRCUIT PROTECTION	YES
OUTPUT TO GROUND SHORT PROTECTION	YES
OVER LOAD PROTECTION	YES
THERMAL PROTECTION LIMIT	110°C (-100B), 120°C(-110K)
DIMMING CONTROLLER TYPE	DALI and DMX512A-RDM
NUMBER OF CONTROL CHANNELS	4
EMI	FCC Class B, EN55015, EN 55022
MAX. CASE HOT SPOT TEMPERATURE	85°C / 185°C
MIN. OPERATING TEMPERATURE	-20°C / -4°F
MAX. OPERATING AMBIENT TEMPERATURE RANGE	50°C / 122°C
SAFETY / COMPLIANCE	cURus: E342838 - Surge Protection: 3kV(L-N), 4kV (L/N-GRD)
MAX. LOAD FOR DRIVER	25W PER CHANNEL (100W MAX.)



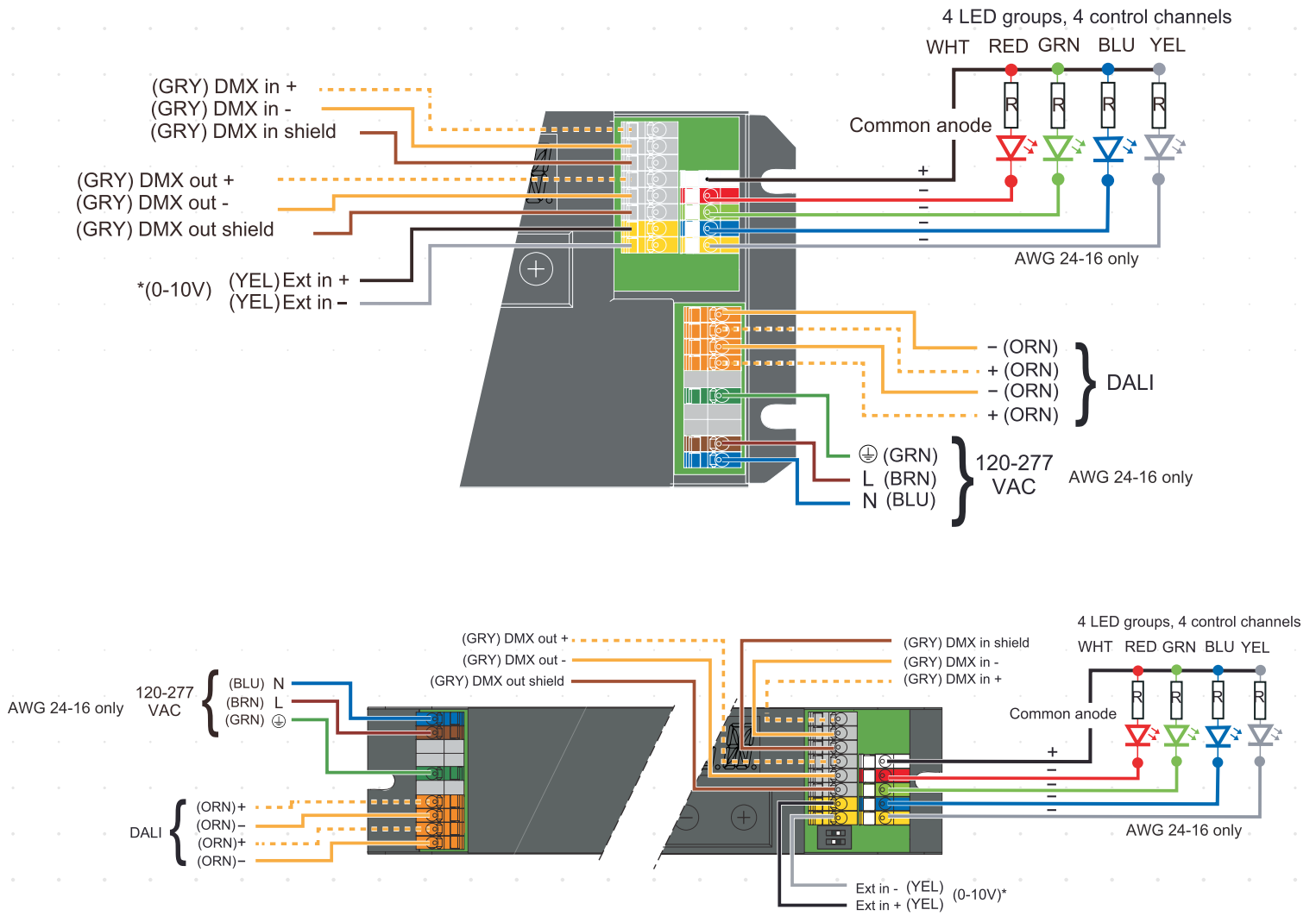
# EOS-96-24V-DMX-ELDO

LINEARdrive 100/S

Constant Voltage DMX/DALI LED Driver

WITH ENCLOSURE

## WIRING DIAGRAMS





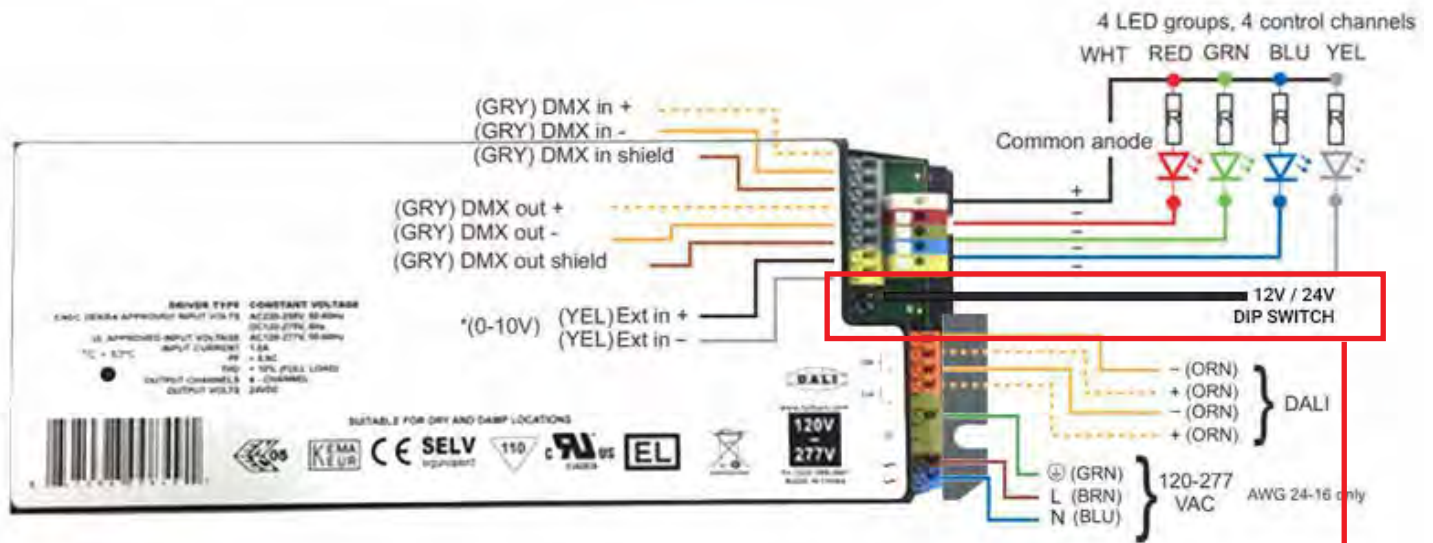
# EOS-96-24V-DMX-ELDO

LINEARdrive 100/S

Constant Voltage DMX/DALI LED Driver

WITH ENCLOSURE

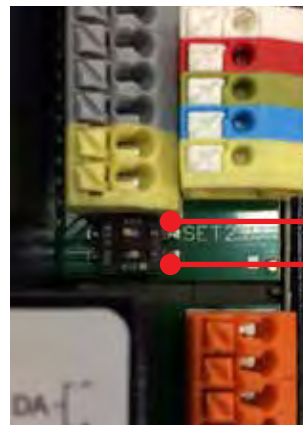
## POWER SUPPLY WIRING CLOSE UP



### WARNING:

Flip the switch to 12V or 24V to match the Voltage of the LightPanels

**DO NOT** turn on the LightPanel until the switch is flipped to the correct voltage, otherwise the panel will not work.



DEFAULT SET AT 24V

Flip flip switch left or right  
24V left ← → 12V right

DO NOT USE BOTTOM SWITCH



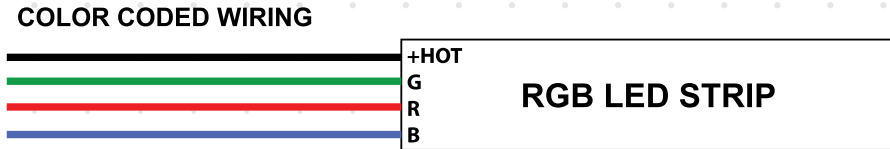
# EOS-96-24V-DMX-ELDO

LINEARdrive 100/S

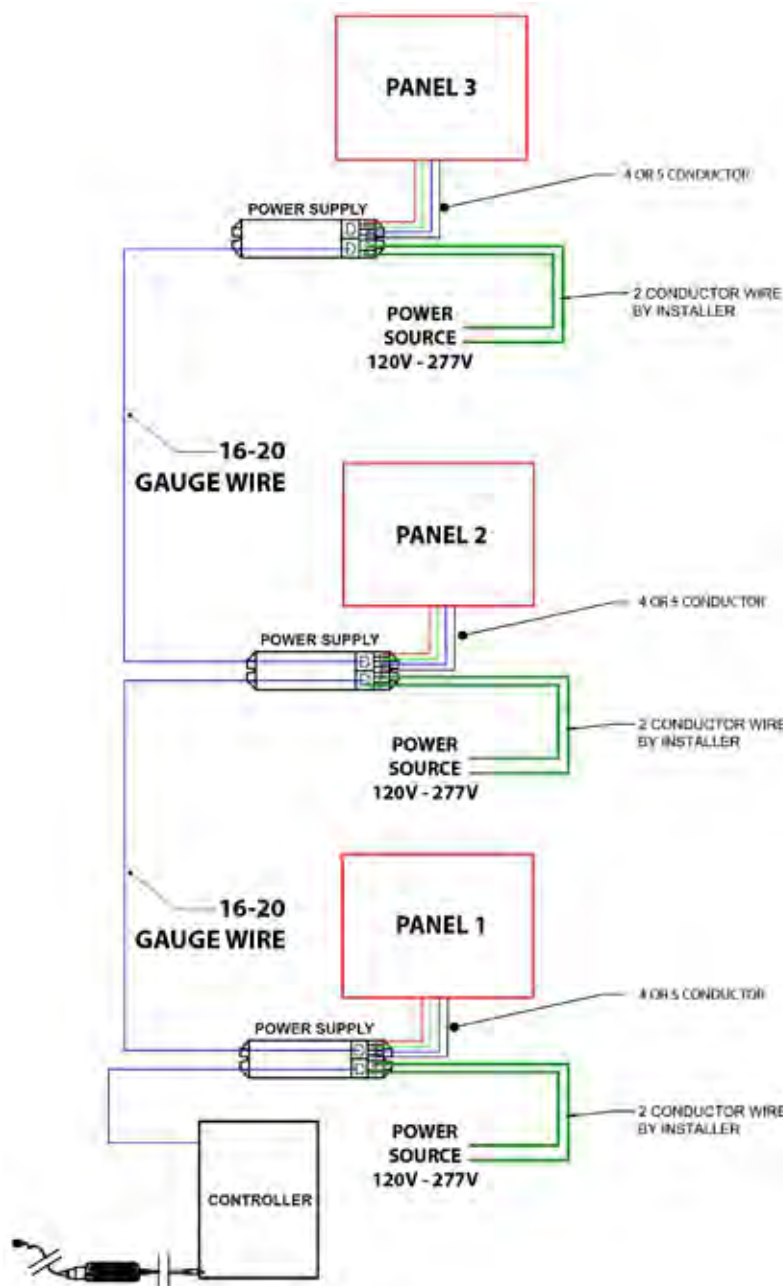
Constant Voltage DMX/DALI LED Driver

WITH ENCLOSURE

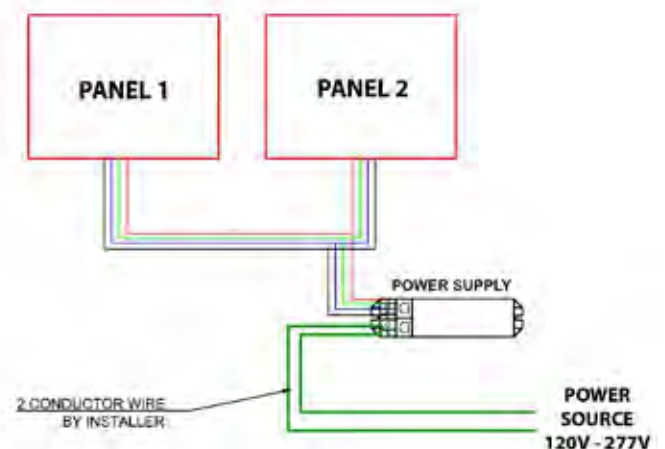
## COLOR LightPanel System Color Coded Wiring Legend



## COLOR LightPanels Daisy Chained with Power Supply



## Multiple COLOR LightPanels to One Driver





# EOS-96-24V-DMX-ELDO

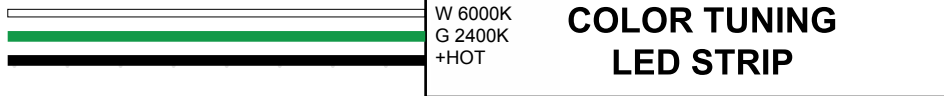
LINEARdrive 100/S

Constant Voltage DMX/DALI LED Driver

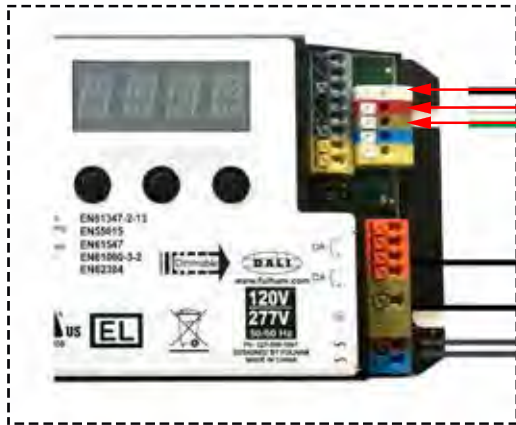
WITH ENCLOSURE

## COLOR TUNING LightPanel System Color Coded Wiring Legend

### COLOR CODED WIRING



## SINGLE PANELS TO ONE DRIVER



CONNECT TO WHITE BOX  
CONNECT TO RED BOX  
CONNECT TO GREEN BOX

B BLACK CABLE "HOT" POSITIVE (++)  
W WHITE CABLE 6000K (COOL)  
G GREEN CABLE 2400K (WARM)

24/12V  
wall Input

DMX Controller

**eos COLOR TUNING  
LightPanel System**

### LABEL COLOR CODED WIRING





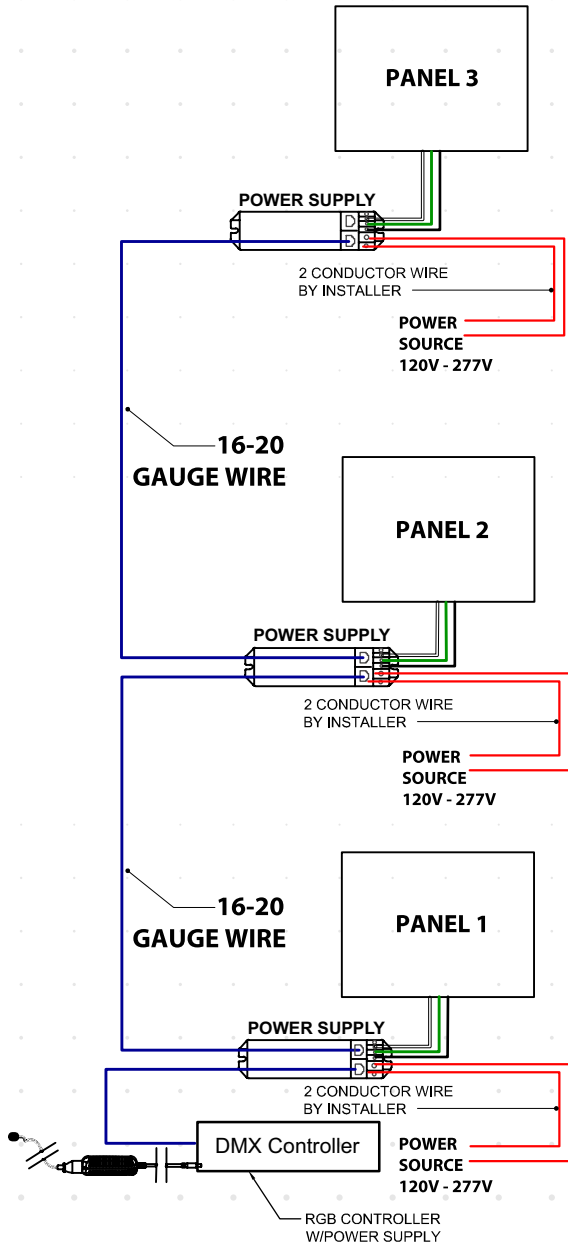
# EOS-96-24V-DMX-ELDO

LINEARdrive 100/S

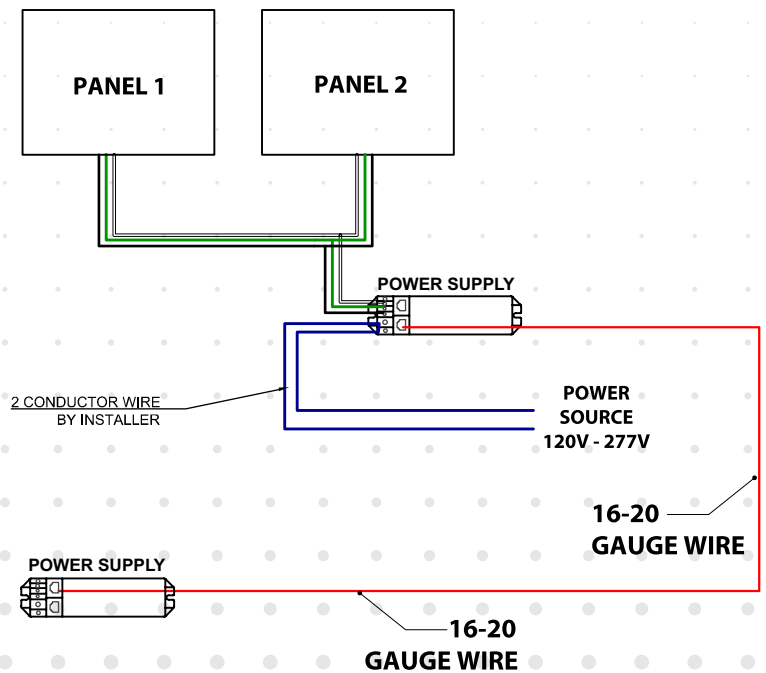
Constant Voltage DMX/DALI LED Driver

WITH ENCLOSURE

## COLOR TUNING LightPanels Daisy Chained with Power Supply



## Multiple COLOR TUNING LightPanels to One Driver



DOWNLOAD OUR DMX PROGRAMMING GUIDE

