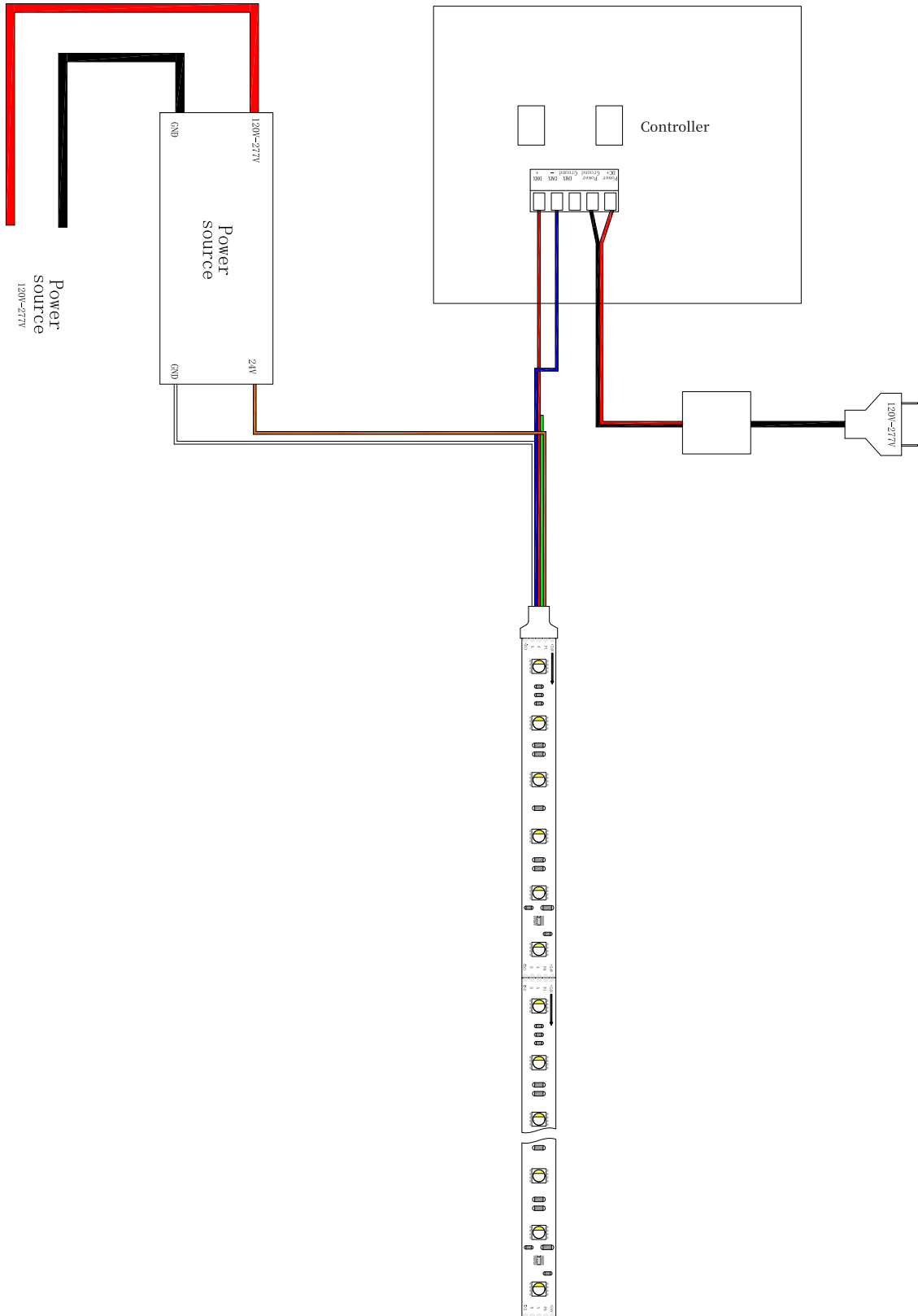
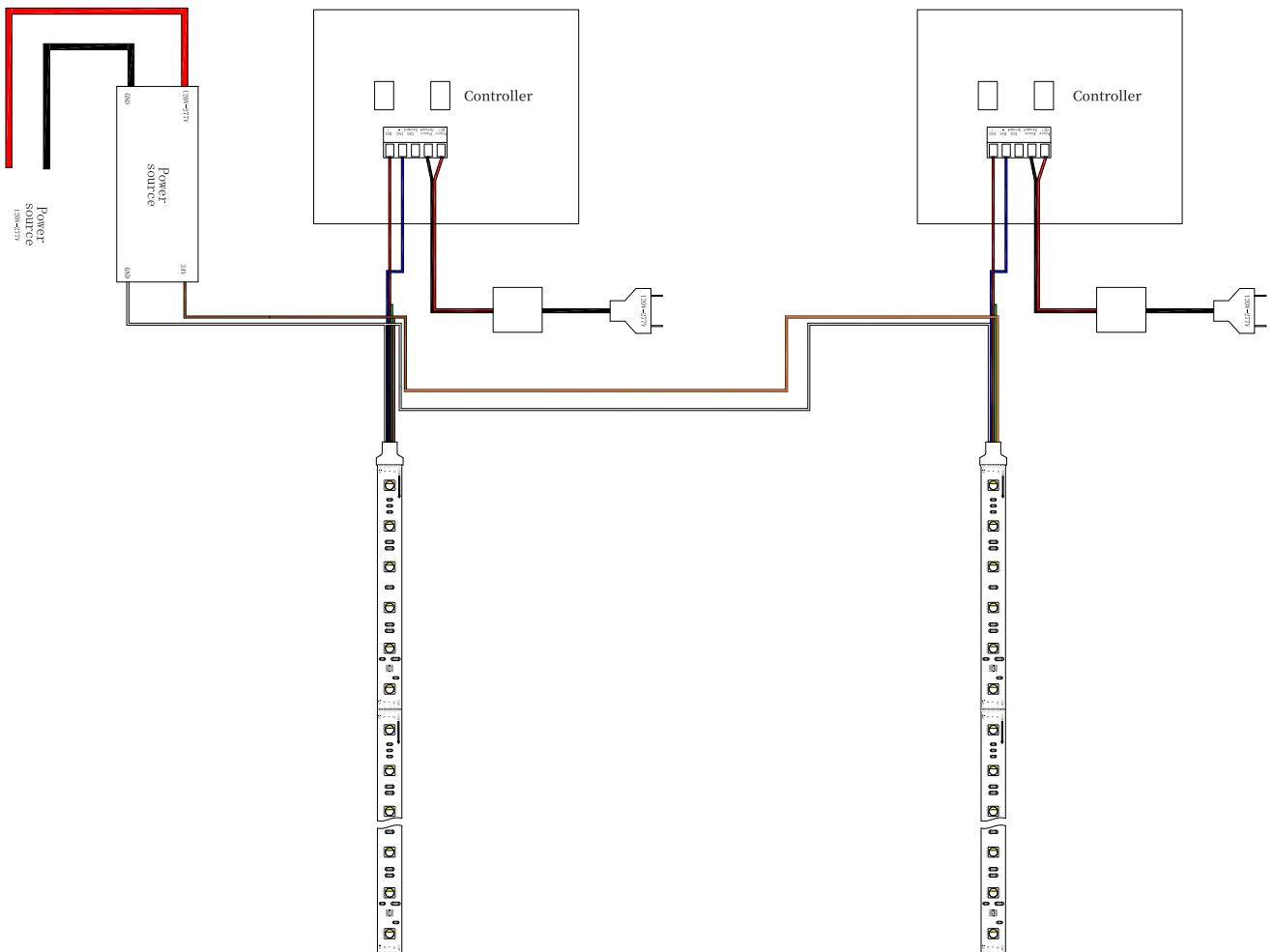




Single LED Strip Wiring



Multiple LED Strips Wiring





Daisy Chain LED Strips POWER SOURCE Wiring

Only recommended with short runs in close proximity to the driver to avoid voltage drop

