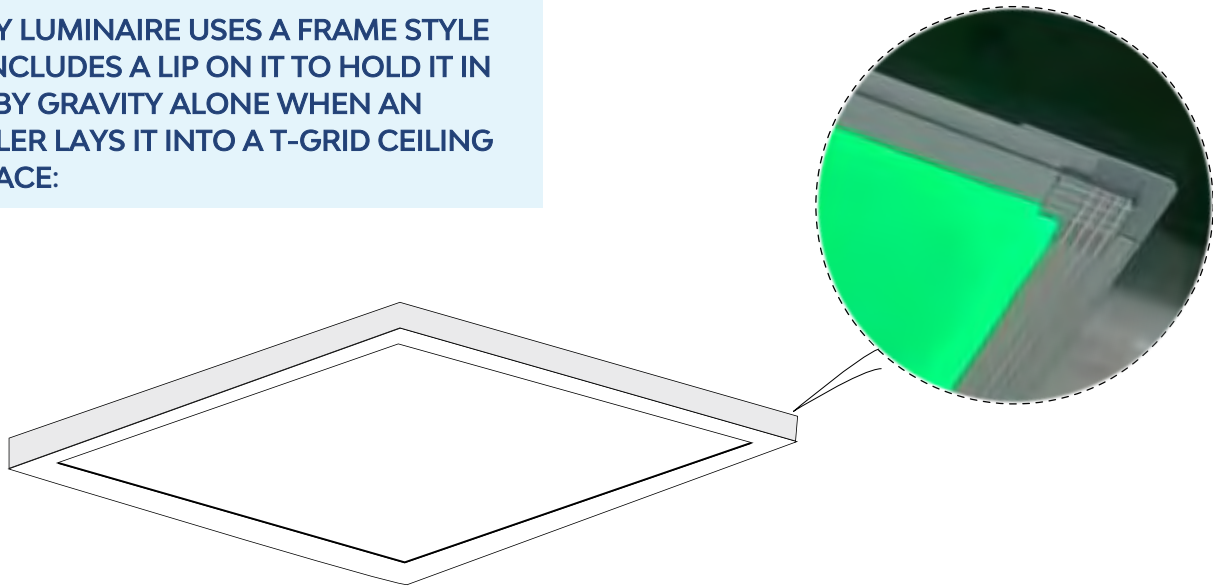




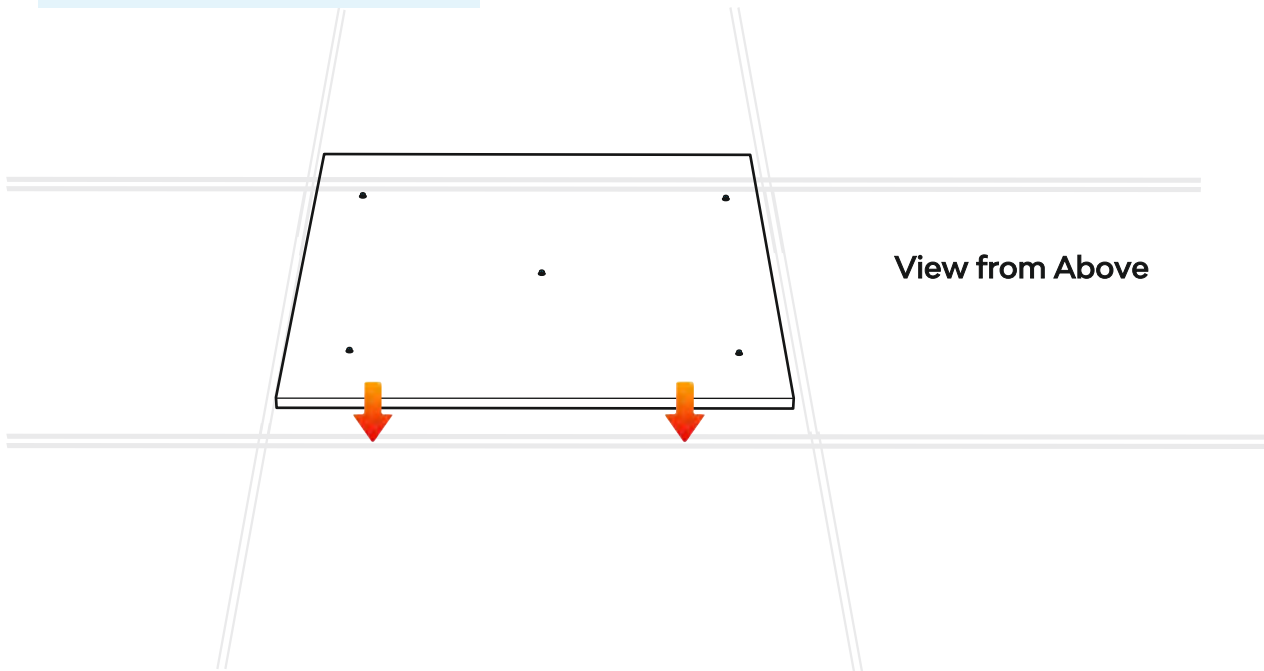
INSTALLATION

Sky Luminaire in T-Grid ceilings

THE SKY LUMINAIRE USES A FRAME STYLE THAT INCLUDES A LIP ON IT TO HOLD IT IN PLACE BY GRAVITY ALONE WHEN AN INSTALLER LAYS IT INTO A T-GRID CEILING TILE SPACE:



STEP 1: LAY PANEL INTO T-GRID

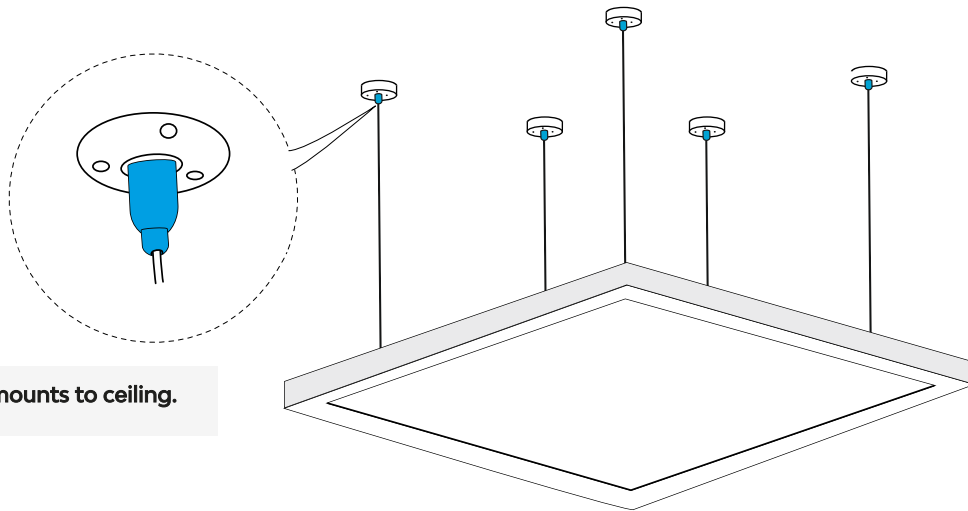




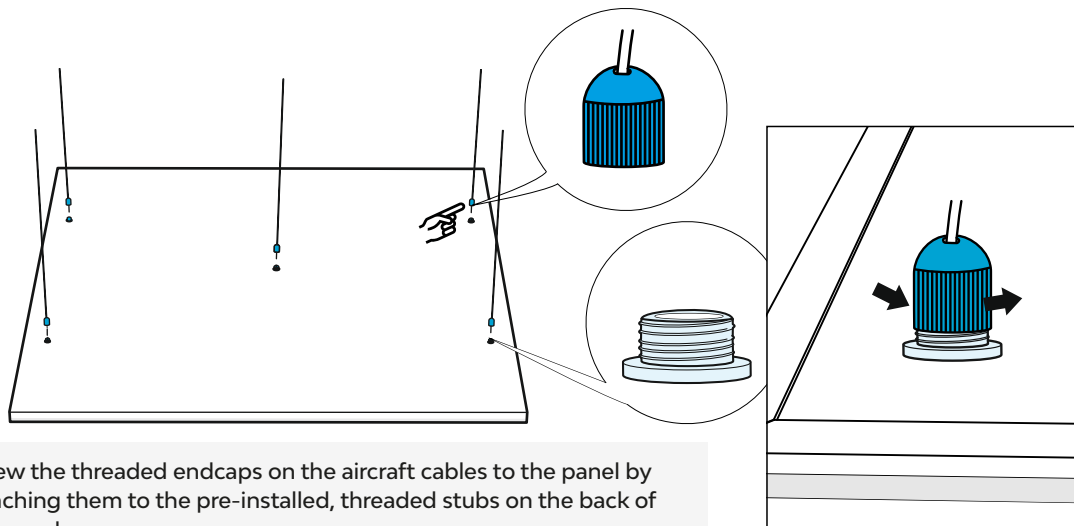
INSTALLATION

Sky Luminaire in T-Grid ceilings

STEP 2: FOR ADDITIONAL SAFETY, SUSPENSION MOUNTS MAY BE ADDED



Secure mounts to ceiling.



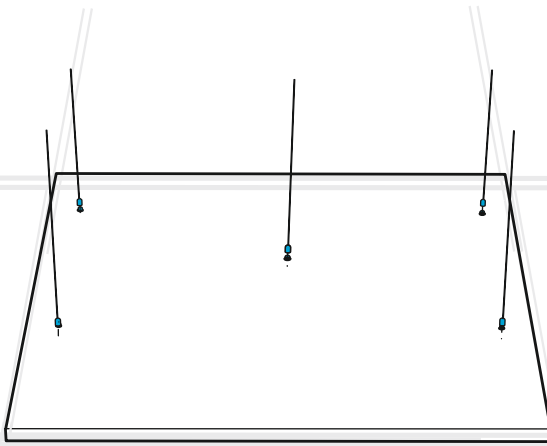
Screw the threaded endcaps on the aircraft cables to the panel by attaching them to the pre-installed, threaded stubs on the back of the panel.



INSTALLATION

Sky Luminaire in T-Grid ceilings

END RESULT INCLUDING
SUSPENSION MOUNTS



View from Above
with suspension
mounts

View from Below
with suspension
mounts

