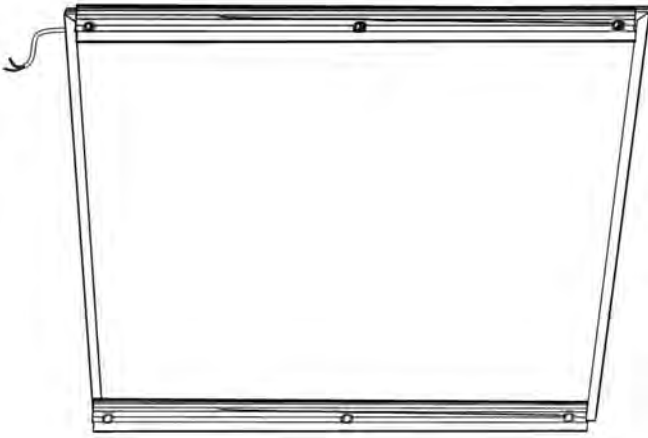
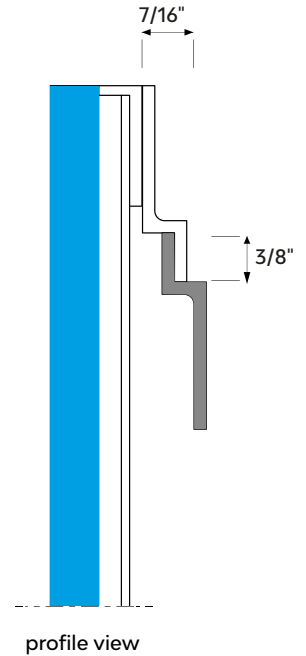
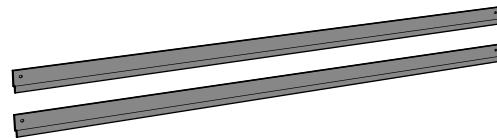


### French Cleats for horizontal / landscape framed LightPanels\*

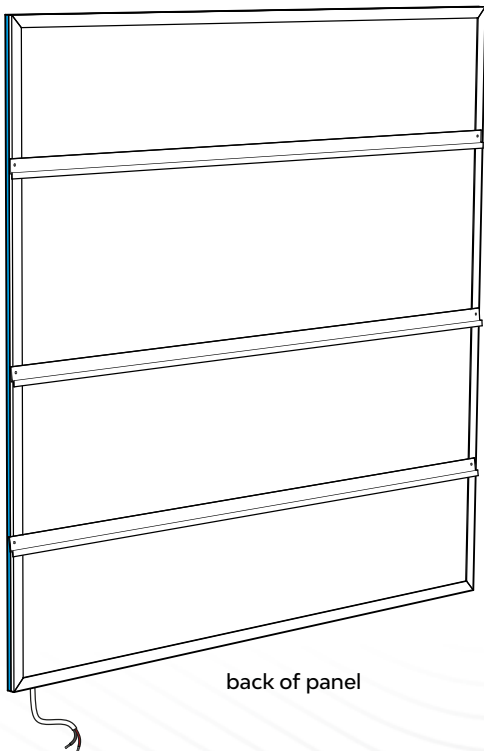


back of panel

A French Cleat will be attached to the top and bottom of the framed LightPanel. Its corresponding French Cleat will be provided by EOS separately for in-field wall installation.

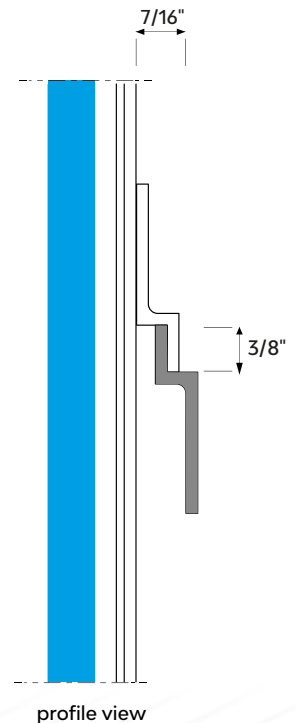
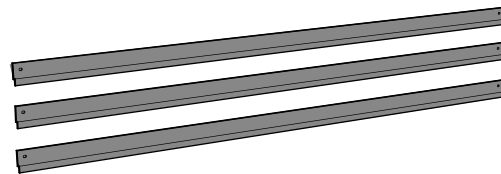


### French Cleats for vertical / portrait framed LightPanels\*



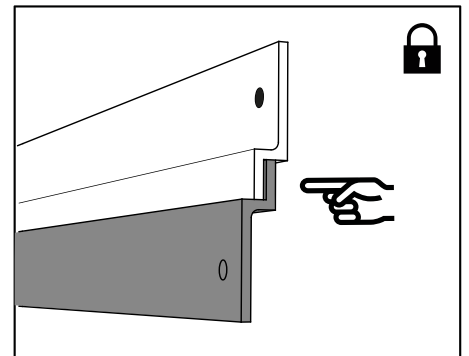
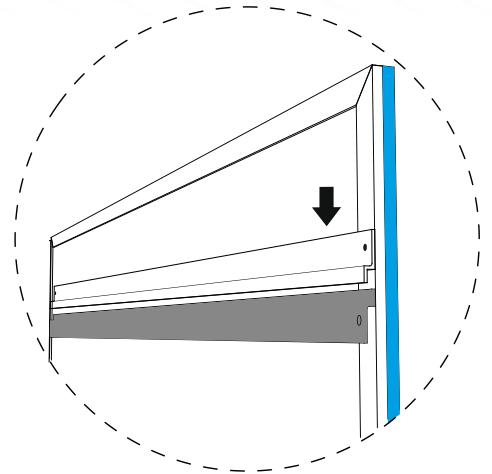
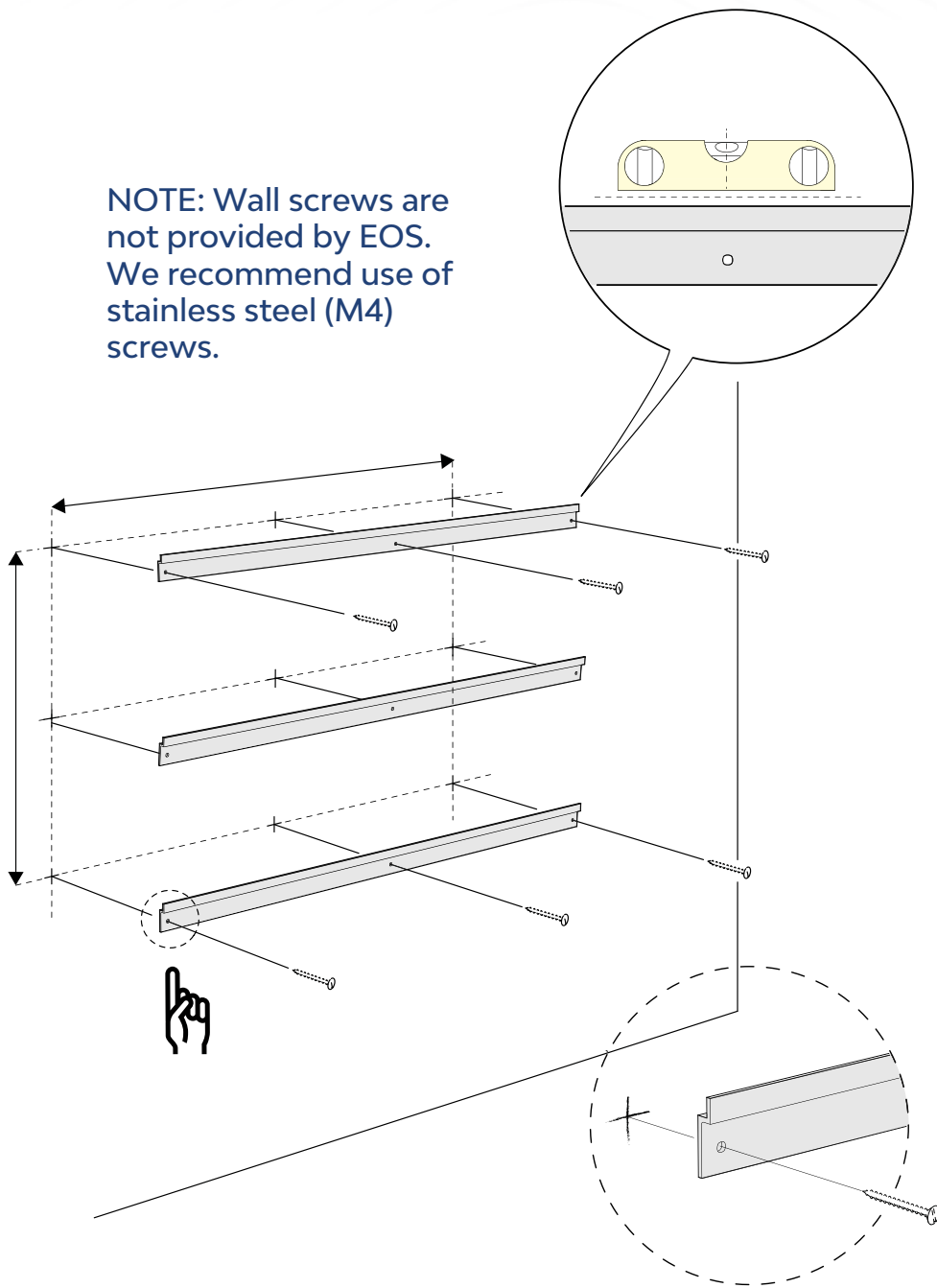
back of panel

French Cleats will be attached across the width of the framed LightPanel at appropriate height intervals. Its corresponding French Cleat will be provided by EOS separately for in-field wall installation.



\*For use with Deco LightPanels, AURA Complete Solutions, and Media Frame Ad Boxes.

**NOTE:** Wall screws are not provided by EOS. We recommend use of stainless steel (M4) screws.

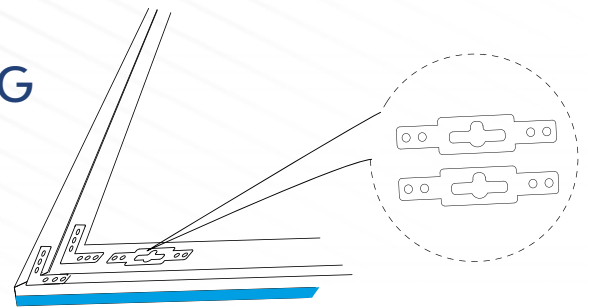


**Fix the French Cleats to the wall with screws or other suitable fixing systems paying attention to:**

- Positioning the brackets parallel to each other, with the help of a calibration tool.
- The "head" of the screw while fixing the brackets: it must not protrude.
- Fixing the French Cleats in an area which is 200 mm less than the external dimension of the panel.



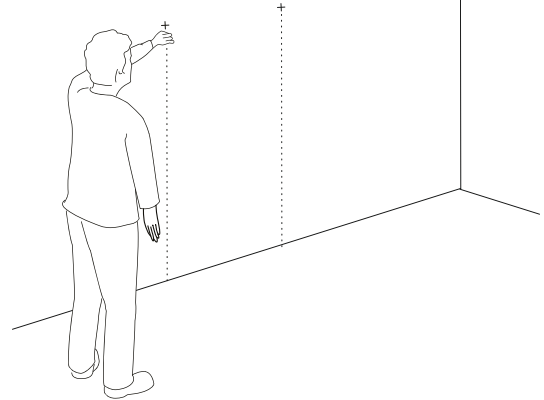
# OPTIONAL MOUNTING METHOD FOR WALL APPLICATIONS: Keyhole Hooks



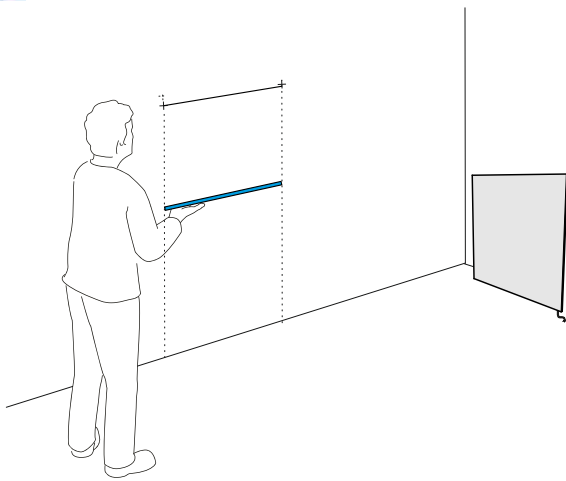
**1** Measure precise span of keyhole hooks on your LightPanel from hole to hole.



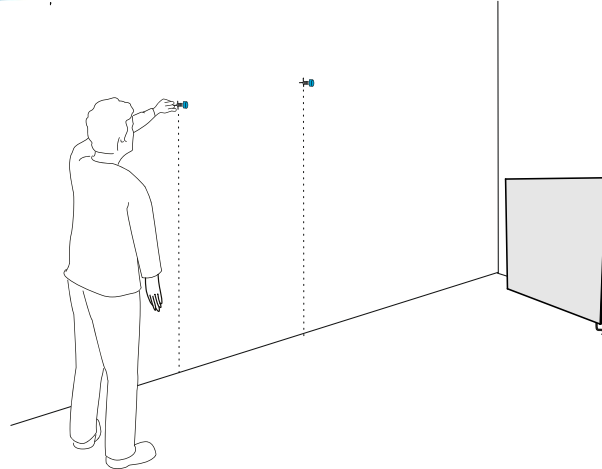
**2** Using that width, measure your desired hanging height from the floor in both keyhole locations.



**3** Use a string or ruler to connect the two holes' locations on wall, then use a level to be sure they are exactly accurate, or adjust as needed.



**4** Put your fasteners into the wall at your two precisely-measured locations (nails or screws).



**5** Carefully lift your panel (with two or more people, if necessary) to insert the fasteners into the keyhole hooks' holes.

