



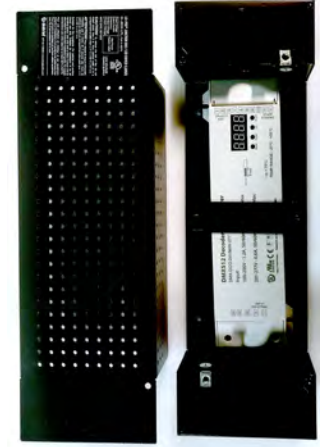
EOS-80W-96W-24V-DMX

80W/96W 24V CONSTANT VOLTAGE LED

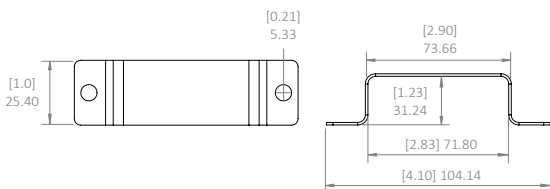
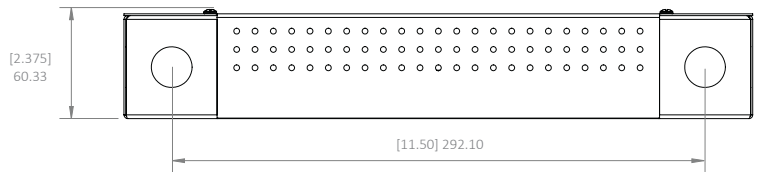
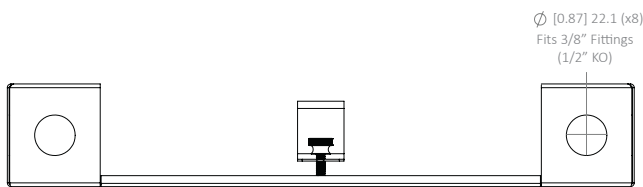
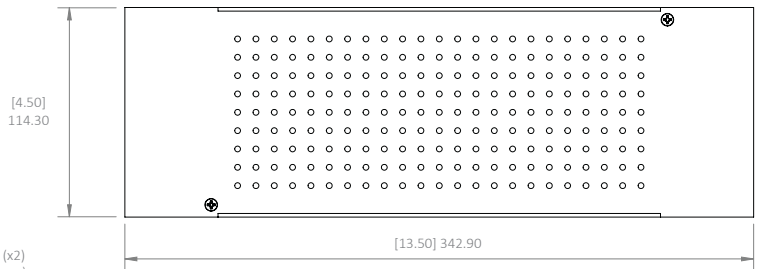
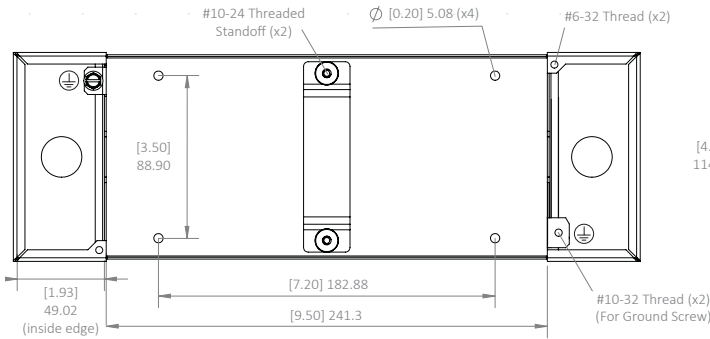
DRIVER WITH ENCLOSURE

General - The general design, shape and arrangement shall be as shown except where variations are specifically described. All dimensions are nominal, within engineering tolerances, except where specifically indicated as a minimum or a maximum. This Power supply is for remote mounting and is to provide power to eos Light Panel™ System.

1. LED Driver Enclosure - Metal, overall at least 342.9 cm (13.5 in.) by 114.3 cm (4.5 in.) by 60.33 cm (2.375 in.), provided with standard conduit knockouts on one side for the input, and provided with) standards knockouts at the output side. Provided with metal cover secured to the enclosure by mechanical means.
2. LED driver: Constant Voltage mode output. 24V.
80W for input voltage under 200VAC. 96W for input voltage over 200VAC.
3. Grounding - See ground strap in the images below.



ENCLOSURE WITH DRIVER (80W/96W) and DECODER



NOTE: NOT FOR USE IN SUBMERSIBLE APPLICATIONS





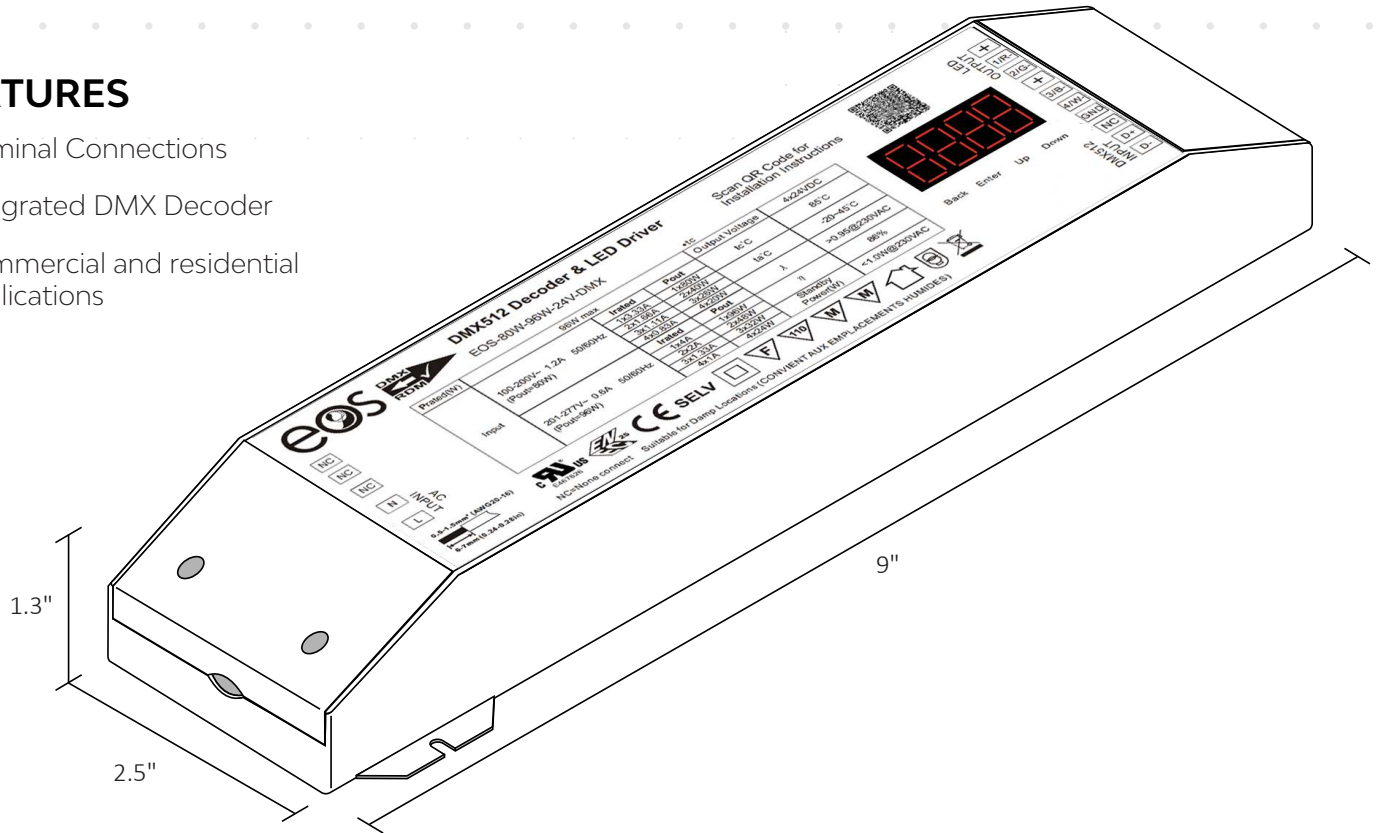
EOS-80W-96W-24V-DMX

80W/96W 24V CONSTANT VOLTAGE LED

DRIVER WITH ENCLOSURE

FEATURES

- Terminal Connections
- Integrated DMX Decoder
- Commercial and residential applications



Input Voltage	120VAC / 277VAC
Output Voltage	24VDC
Wattage	80W (120VAC) / 96W (277VAC)
Max. Run	10 Units
Driver Dimensions	2.5 in. x 1.3 in. x 9 in. (W x H x L)
IP Rating*	Indoor / Dry Location / IP20
Certification	UL Recognized/Listed
Warranty	5-Years
Temperatures	<ul style="list-style-type: none"> • Ambient Temp¹: -4° - 176°F (-20° - 80°C) • Operating Temp²: -4° - 122°F (-20° - 50°C)

SAFETY

1. Install in accordance with national and local electrical code regulations.
2. This product is intended to be installed and serviced by a qualified, licensed electrician.
3. Not for use in or on walls of pools, fountains, or other partially or fully submersed locations.
4. Do not modify or disassemble product beyond instructions or this warranty will be void.
5. We reserve the right to modify and improve the design of our fixtures without prior notice. We cannot guarantee to match existing installed fixtures for subsequent orders or replacements in regards to product appearance, CCT, or lumen output.

1. Do not install product in an environment outside the listed ambient temperature. Exceeding the maximum ambient temperature may damage LED chips, reduce the total lamp life, lumen output, and/or adversely impact color consistency.
2. Operating temperature is measured according to the minimum and maximum ambient temperature environment.

*NOTE: NOT FOR USE IN SUBMERSIBLE APPLICATIONS

