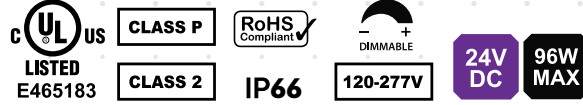




EOS-96-JB-D010V-24V

96W 0-10V DIMMABLE
POWER SUPPLY



The eos Constant Voltage Class 2 LED drivers offers both UL Listed and UL Recognized style enclosures. The UL Listed type enclosure has a built-in junction box on both the input and output. These drivers are IP66 rated and are suitable for both indoor and outdoor installations. With universal input voltage ranging from 120 to 277VAC, the eos series of drivers are designed for commercial, industrial and residential applications. Our 0-10V dimming delivers smooth flicker-free linear dimming down to 1% with most LEDs and a wide variety of compatible dimmers.

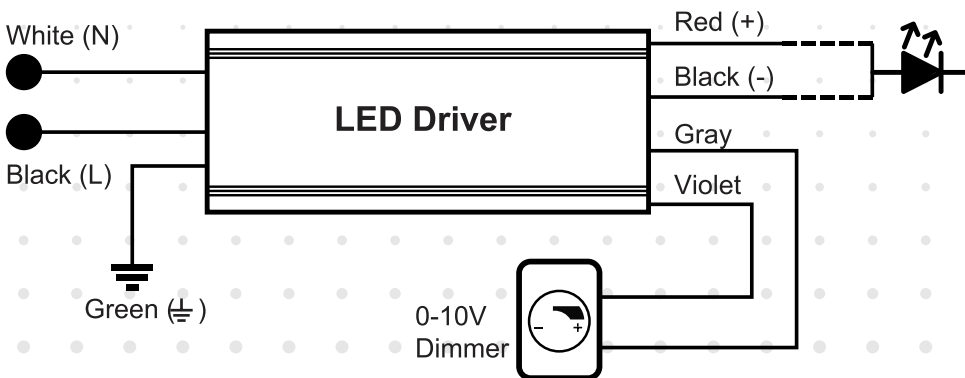
Input Voltage	Max Output Power	Output Voltage	Output Current	Efficiency @ Max Load	THD @ Max. Load	Power Factor @ Max. Load	Environment Protection Rating	Input Frequency
120 - 277VAC	96W	24VDC	4100mA	>84%	<20%	>0.95	IP66	50 / 60Hz



FEATURES :

- UL Listed Enclosure – With Built-In Junction Boxes
- Universal Input Voltage
- 0-10V Dimmable - Flicker Free Down to 1%
- No Minimum Load Required
- Ripple Free
- IP65 – For Both Indoor and Outdoor Use
- UL 8750 Approved
- Class 2, Class P
- Auto-Reset Protection for Short Circuit & Over-Temperature
- Over Load Protection – CC Mode

WIRING DIAGRAM



ENCLOSURE DETAILS In.(mm) L-with a Jbox

Length
11.4 (290.5)
Mounting Length
12.1 (307.9)
Width
2.36 (59.9)
Height
1.4 (35)
Driver Weight
30.95oz (878 gram)

MAX LOAD FOR POWER SUPPLY: 4100mA Max.



EOS-96-JB-D010V-24V

96W 0-10V DIMMABLE
POWER SUPPLY

INPUT

Input Voltage Range	120 - 277VAC \pm 10%
Input Frequency	50 / 60Hz
Input current	0.96A Max
Inrush Current	5A Max @ 120V / 30A Max @ 277V Complies to NEMA 410
Efficiency	> 87% Max
Power Factor	> 0.95
THD	< 20%

OUTPUT

Output Voltage	24VDC
Output Current	4100mA Max
Output Ripple	< 3%
Line Regulation	< 2%
Load Regulation	< 3%
Turn On Delay Time	< 0.3 seconds

ENVIRONMENTAL SPECIFICATION

Env. Protection Rating	IP66
Operating Ambient	-25°C - +40°C
Max Case Temp (Tcase)	80°C
Storage temperature	-40°C - +85°C
Expected life time	50K Hours (65°C) Tc
Audible Noise	< 24dB Class A

PROTECTION SPECIFICATION

Over Current Protection	Yes
Over Voltage Protection	Yes
Over Temperature Protection	Yes / Hiccup mode
Over Load Protection	Yes / Current limit
Short Circuit Protection	Yes / Current limit

DIMMING

Dimming Control	0-10V
Min. Dimming Level	1%
Dimming Curves	Linear
Current Consumption	0.2mA Max Source / Sinc

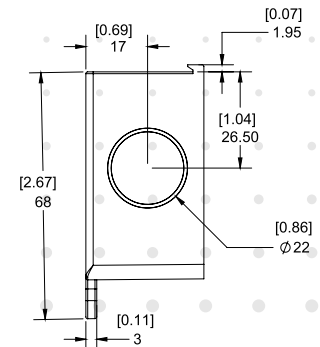
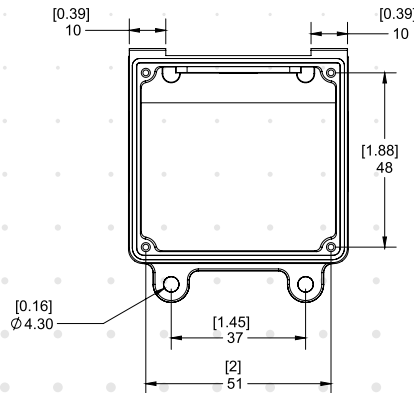
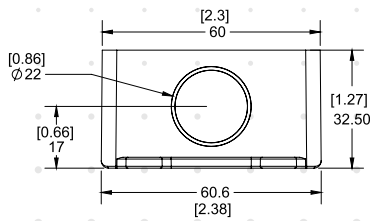
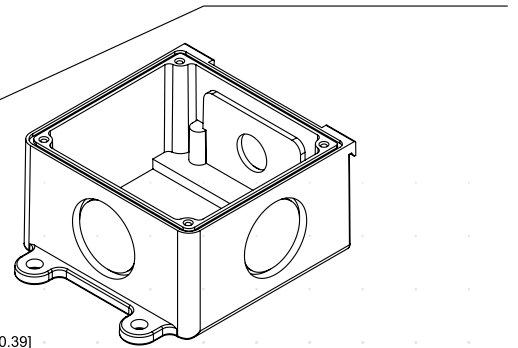
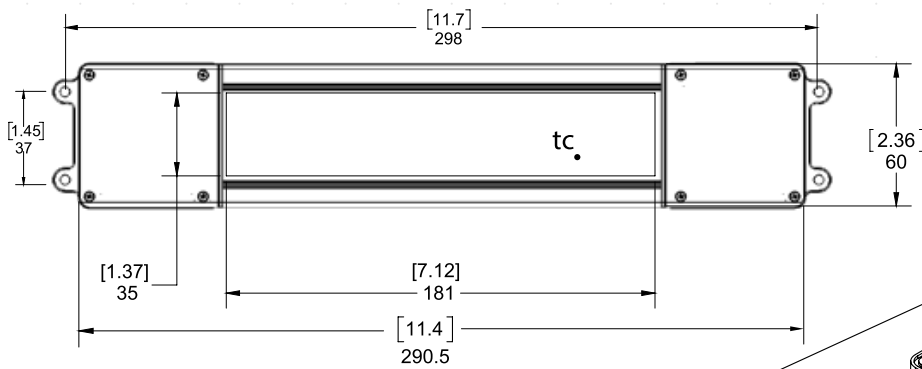
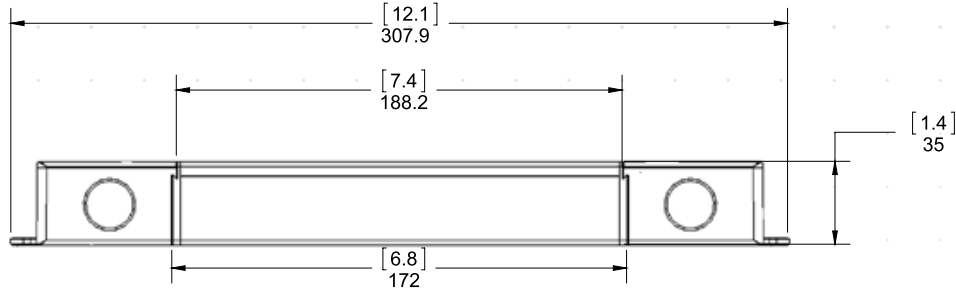


EOS-96-JB-D010V-24V

96W 0-10V DIMMABLE
POWER SUPPLY

MECHANICAL DIAGRAM

EOS-96-JB-D010V-24V Power Supply with Junction Boxes



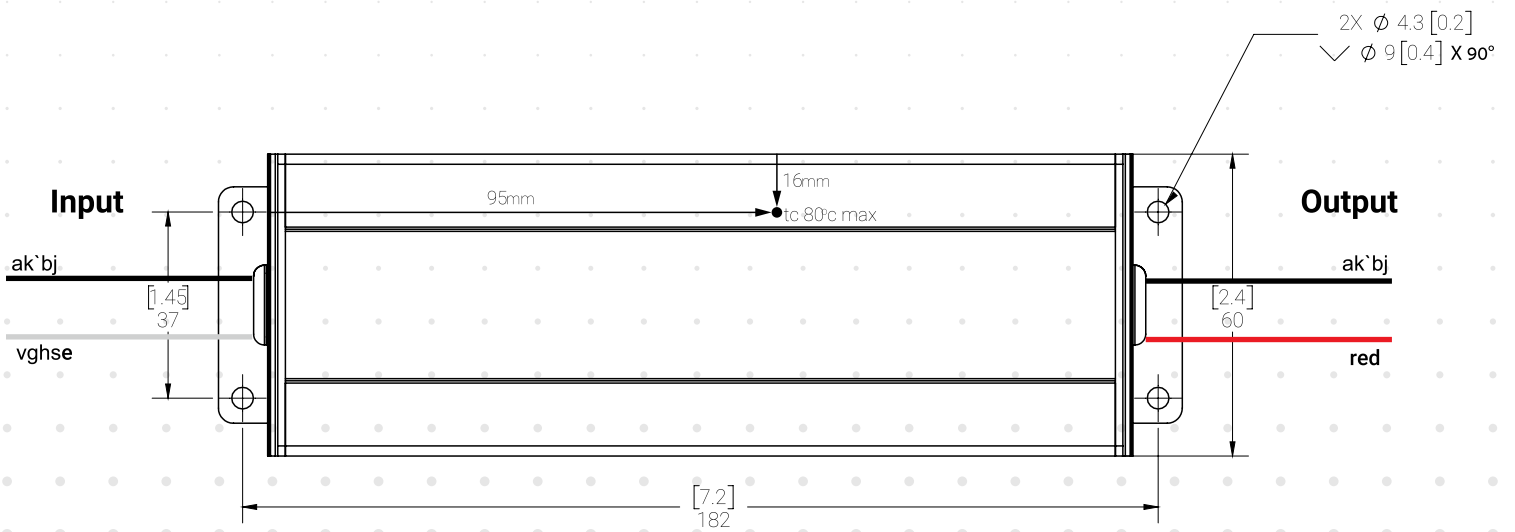
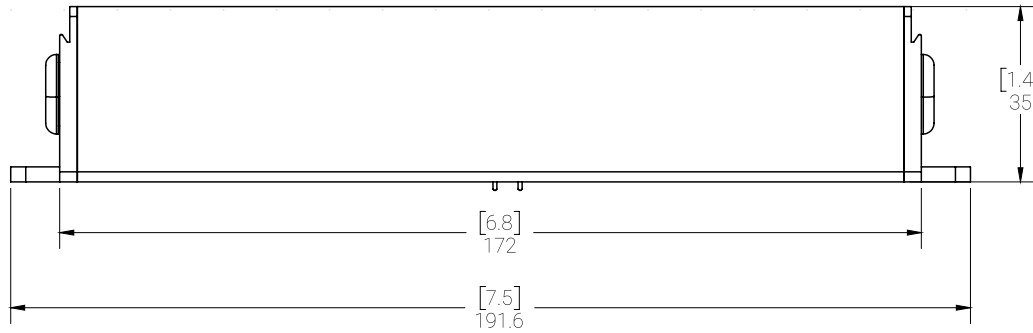
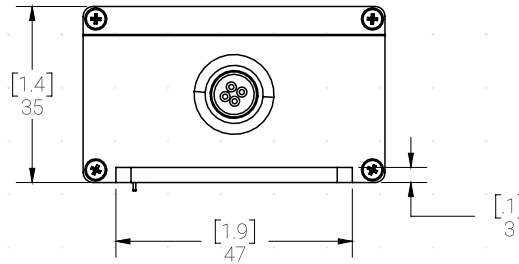


EOS-96-JB-D010V-24V

96W 0-10V DIMMABLE
POWER SUPPLY

MECHANICAL DIAGRAM

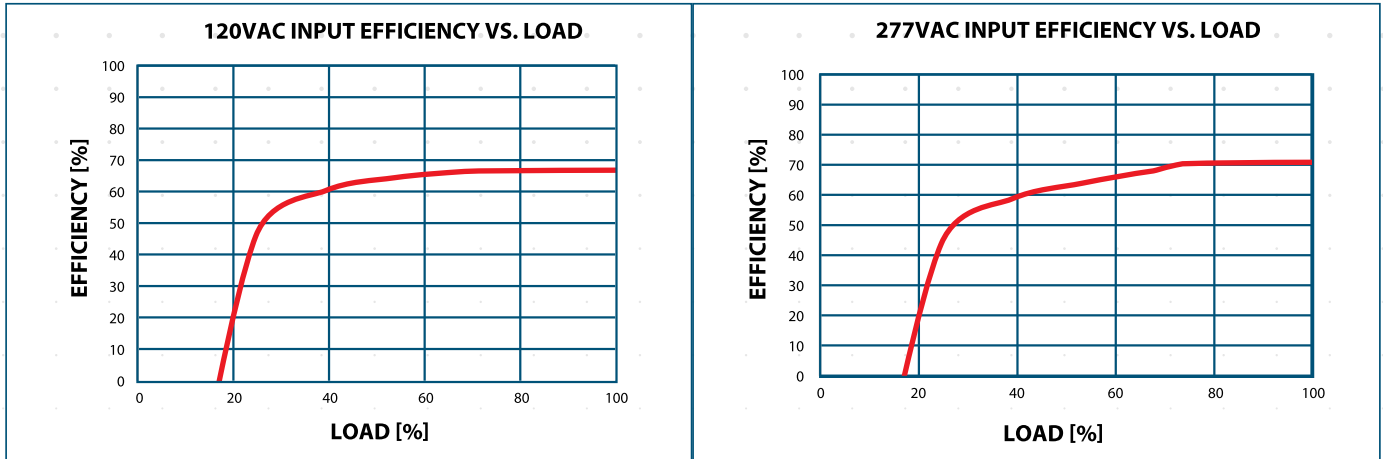
EOS-96-JB-D010V-24V Power Supply with Junction Boxes





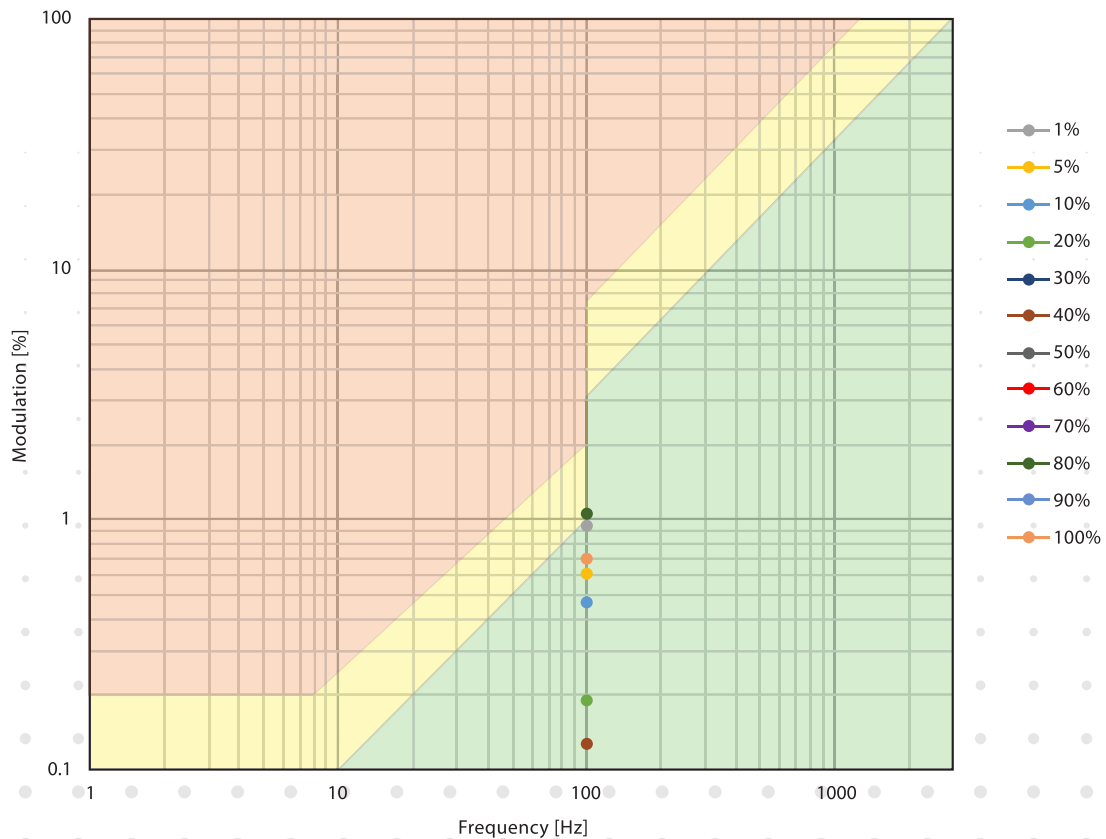
EOS-96-JB-D010V-24V

96W 0-10V DIMMABLE
POWER SUPPLY



FLICKER PERFORMANCE

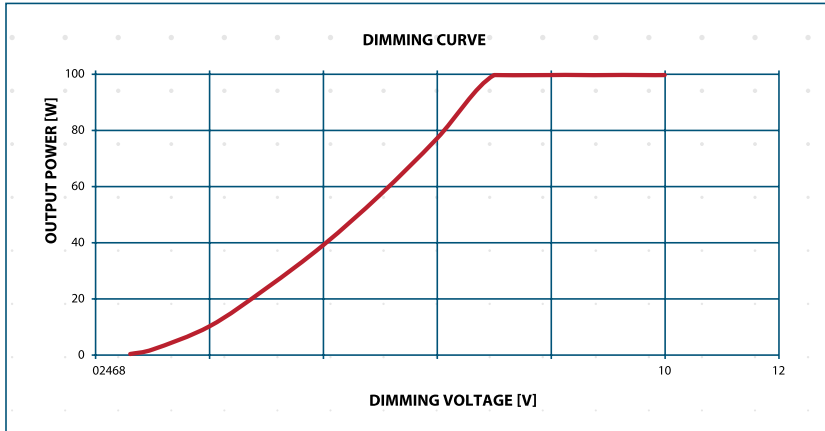
The IEEE P1789 flicker test results are presented with no observable effect (in green) low-risk (in yellow) and high risk (in red).
Tested with: Acclaim Lighting, Model: FLX592, 96W MAX & 24V Output





EOS-96-JB-D010V-24V

96W 0-10V DIMMABLE
POWER SUPPLY



Dimming	Part Number
Lutron	Diva - DTV
Lutron	Diva - NDTV
Lutron	Nova T - NTFTV
Leviton	illumatech - IP7
Watt Stopper	DCLV1
Lightolier Controls	ZP600FAM120
Phillips	Sunrise - SR1200ZTUNV

DRIVER INSTALLATION GUIDELINES

BEFORE YOU BEGIN

This driver is to be installed in accordance with Article 450 of the National Electric Code. The driver must be installed in a well-ventilated area free from explosive gases and vapors. Proper operations requires for free flow of air. As this driver is hardwired it should only be installed by a qualified electrician.

Precautions Before Installing

Check the label and ensure the driver has the proper input voltage and wattage for the job. Check the wire markings to ensure they match the wiring diagram on this installation guide.

If the product has any visible damage do not install it.

Mounting

Select a suitable location capable of supporting the weight of the driver. Use the keyholes in the driver case.

Input Connections / Grounding

First, remove the input wiring cover and install the clamp connectors. With power turned off, route the input wires and

make connections according to the wiring diagram below. For all wire connections use only UL listed wire nuts and connectors of suitable size and type. The driver MUST be grounded in accordance with the N.E.C.

Output Connections

First, remove the output wiring cover and install the clamp connectors. With power turned off, route the light fixture wires and make connections according to the wiring diagram below.

0-10V Dimming

connections according to the wiring diagram below. For all wire connections use only UL listed wire nuts and connectors of suitable size and type.