



EOS-96-24V-DMX-ELDO

LINEARdrive 100/S

Constant Voltage DMX/DALI LED Driver

WITH ENCLOSURE

Driver Attributes:

LINEARdrive gives you infinite colour control for low-voltage LED applications ranging from single colour for accent and cove lighting all the way up to RGBW for full colour entertainment product solutions. This constant voltage LED driver is DMX/DALI compatible and allows you to create your colour or dynamic show without an external controller. Symbiosis ensures the LED driver works seamlessly together with LED modules, controls and intelligent luminaire elements.

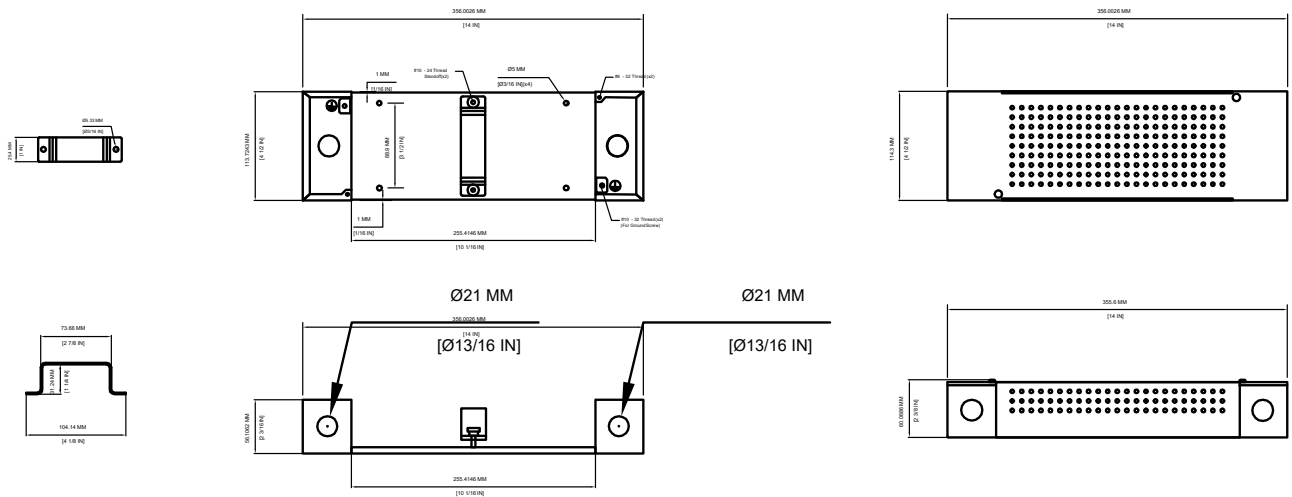
- LINEARdrive AC
- 100W
- LED output current: 2.8A absolute maximum rating per output
- Nominal input voltage range AC: 120 - 250V (ENEC), 120 - 277V (UL)
- Nominal input voltage DC: 120 - 275V
- DMX/DALI
- UI
- 4 control channels
- UL Class 2
- Constant voltage
- 4x 12/24V outputs
- Square metal



Coming Q4 2024!



Enclosure Dimensions:



Installation Instructions:



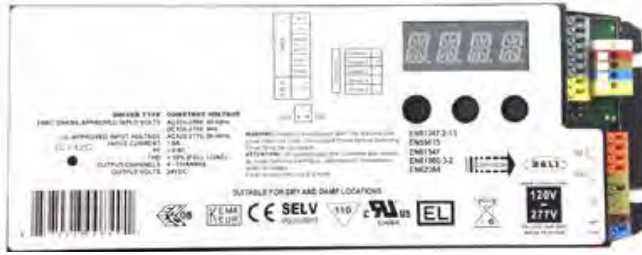


EOS-96-24V-DMX-ELDO

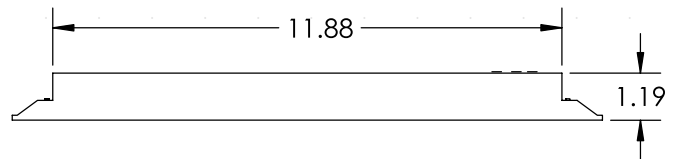
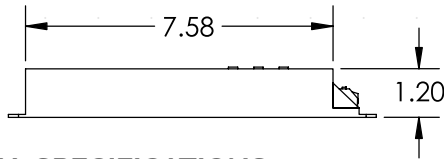
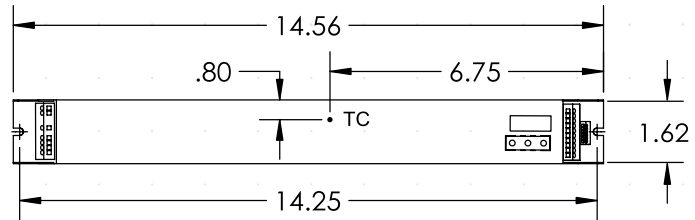
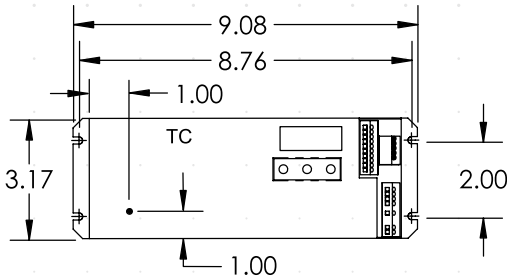
LINEARdrive 100/S

Constant Voltage DMX/DALI LED Driver

WITH ENCLOSURE



- Integrated DMX-RDM and DALI control
- Up to 4 DALI or DMX channels available
- 4 constant voltage, independent output channels
- 120-277V Application
- Operates any LED module designed to accept constant voltage input up for rated driver output (e.g. 24V)
- Surge Rating: 3kV (L-N), 4kV (L/N-GRD)



GENERAL SPECIFICATIONS

INPUT VOLTAGE	120-277V ± 10%, 50/60Hz
INPUT CURRENT (MAX)	1.05A @ 120V 0.5A @ 230V 0.45A @ 277V
POWER FACTOR	>0.99 @ 120V >0.98 @ 230V >0.94 @ 277V
THD	<10% @ Max load
EFFICIENCY	89% @ Max load
SURGE PROTECTION	3kV(L-N), 4kV (L/N-GRD)
CONSTANT CURRENT, VOLTAGE OR POWER	Constant Voltage
OUTPUT CURRENT (CLASS 2)	1.05A/channel
OUTPUT VOLTAGE	24V
OUTPUT SHORT CIRCUIT PROTECTION	YES
OUTPUT OPEN CIRCUIT PROTECTION	YES
OUTPUT TO GROUND SHORT PROTECTION	YES
OVER LOAD PROTECTION	YES
THERMAL PROTECTION LIMIT	110°C (-100B), 120°C(-110K)
DIMMING CONTROLLER TYPE	DALI and DMX512A-RDM
NUMBER OF CONTROL CHANNELS	4
EMI	FCC Class B, EN55015, EN 55022
MAX. CASE HOT SPOT TEMPERATURE	85°C / 185°C
MIN. OPERATING TEMPERATURE	-20°C / -4°F
MAX. OPERATING AMBIENT TEMPERATURE RANGE	50°C / 122°C
SAFETY / COMPLIANCE	cURus: E342838 - Surge Protection: 3kV(L-N), 4kV (L/N-GRD)
MAX. LOAD FOR DRIVER	25W PER CHANNEL (100W MAX.)



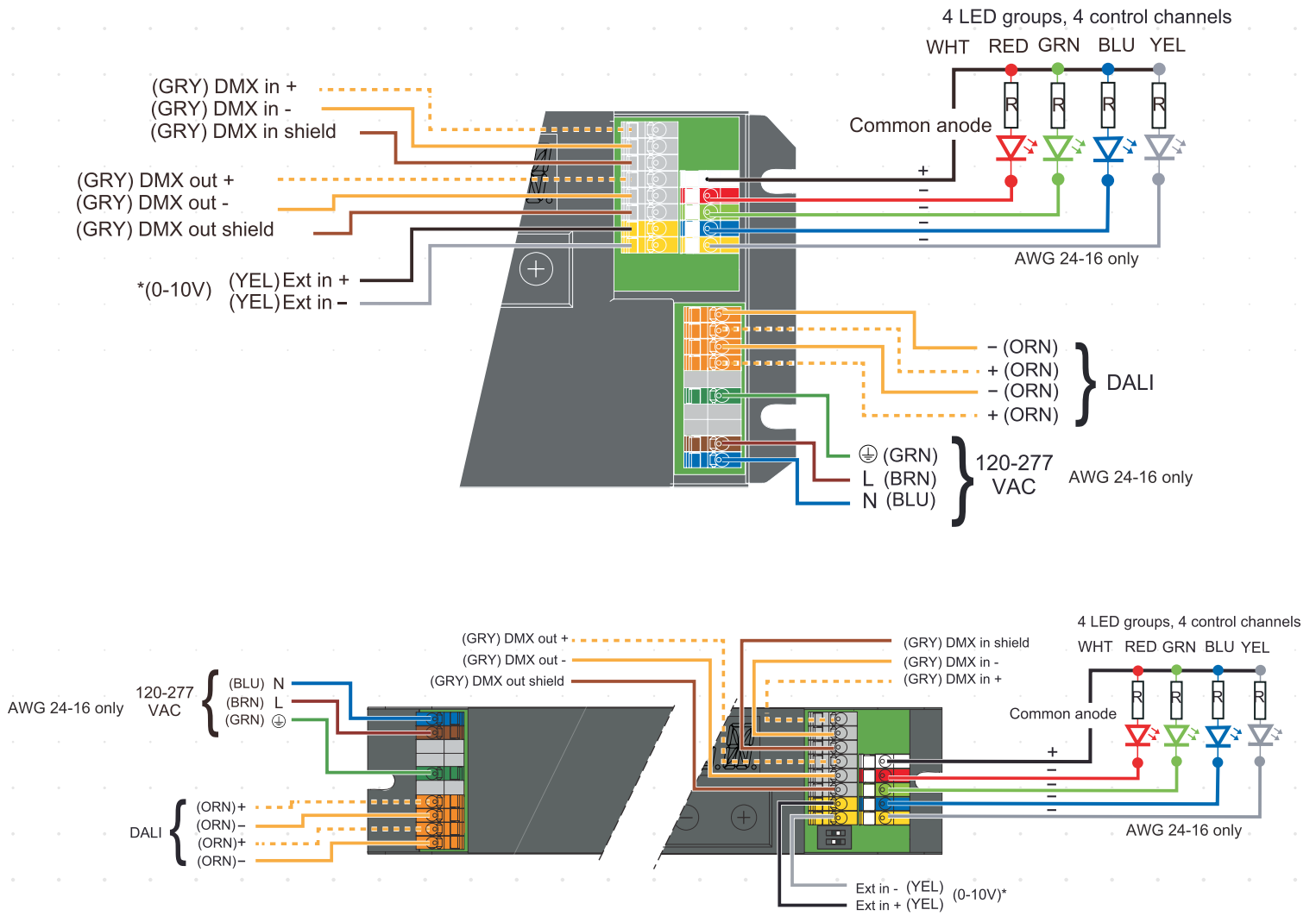
EOS-96-24V-DMX-ELDO

LINEARdrive 100/S

Constant Voltage DMX/DALI LED Driver

WITH ENCLOSURE

WIRING DIAGRAMS





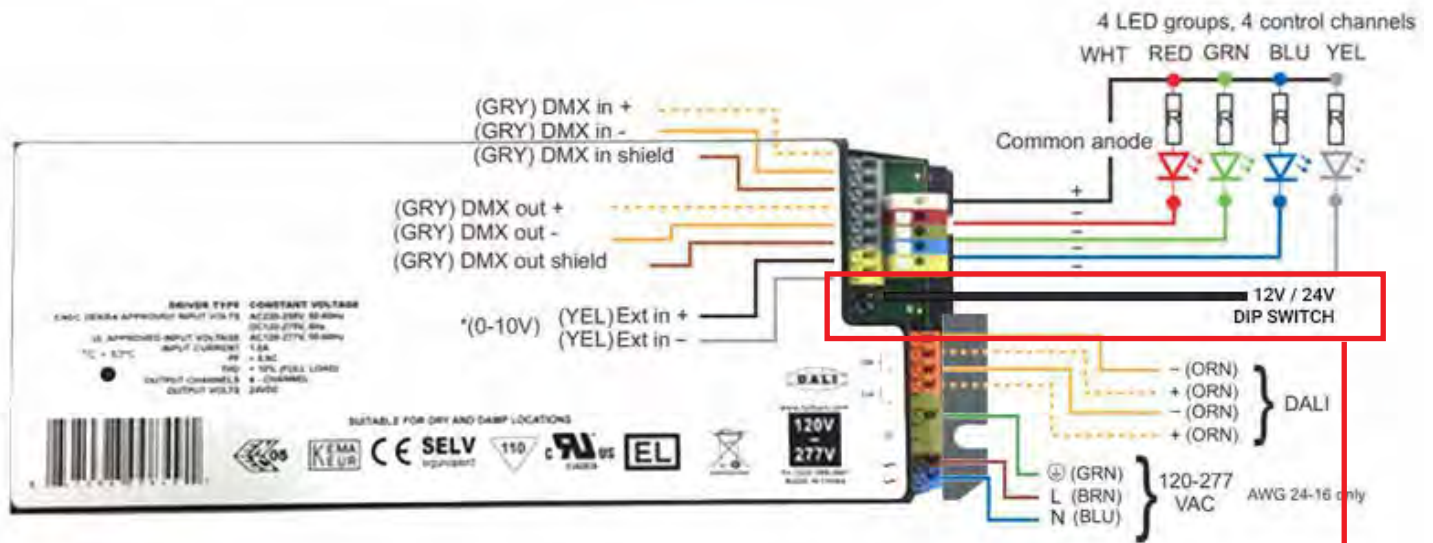
EOS-96-24V-DMX-ELDO

LINEARdrive 100/S

Constant Voltage DMX/DALI LED Driver

WITH ENCLOSURE

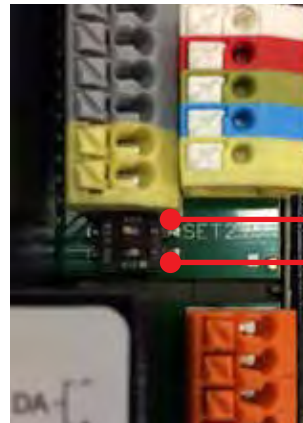
POWER SUPPLY WIRING CLOSE UP



WARNING:

Flip the switch to 12V or 24V to match the Voltage of the LightPanels

DO NOT turn on the LightPanel until the switch is flipped to the correct voltage, otherwise the panel will not work.



DEFAULT SET AT 24V

Flip flip switch left or right
24V left ← → 12V right

DO NOT USE BOTTOM SWITCH



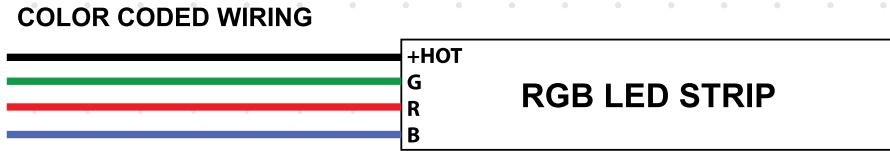
EOS-96-24V-DMX-ELDO

LINEARdrive 100/S

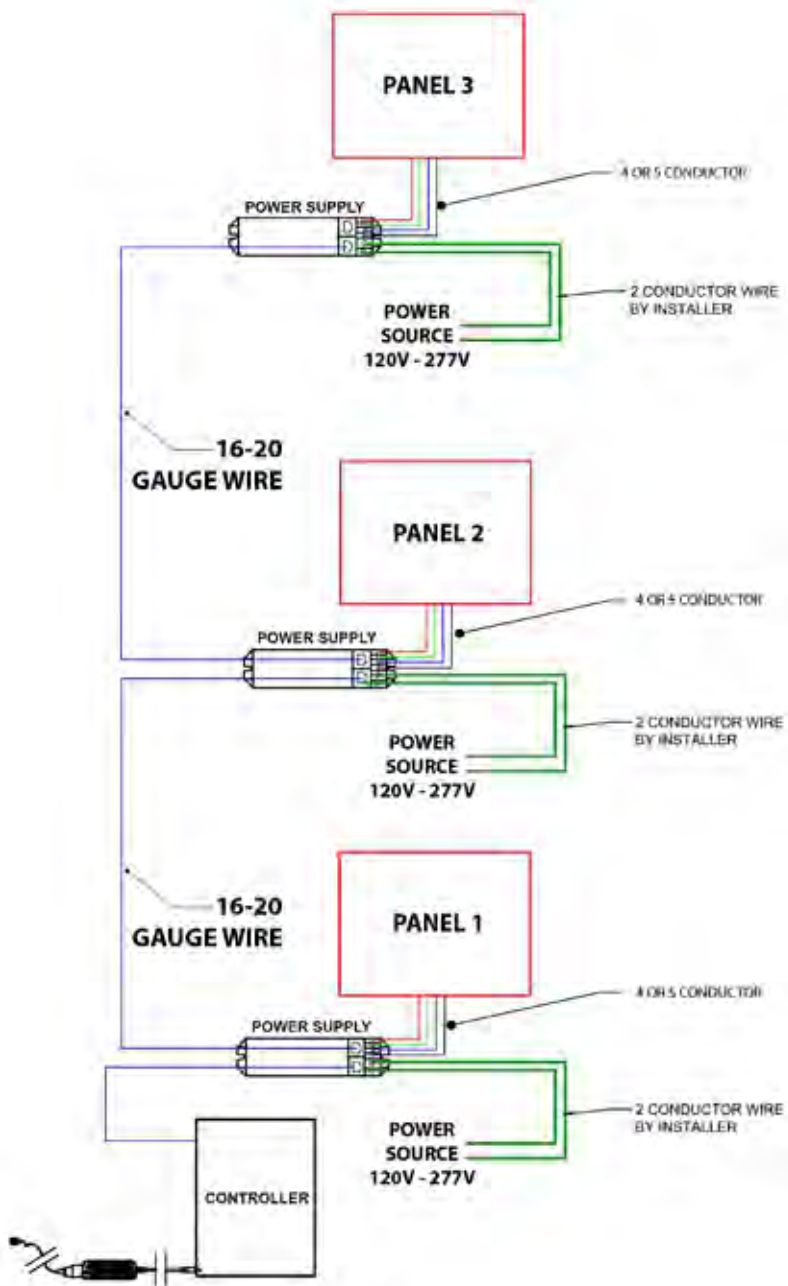
Constant Voltage DMX/DALI LED Driver

WITH ENCLOSURE

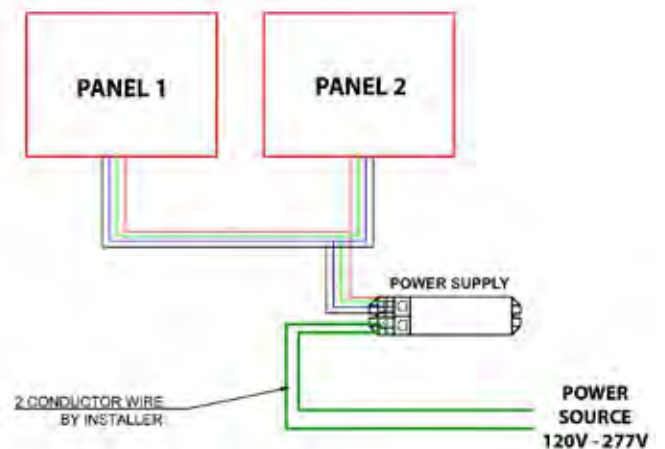
COLOR LightPanel System Color Coded Wiring Legend



COLOR LightPanels Daisy Chained with Power Supply



Multiple COLOR LightPanels to One Driver





EOS-96-24V-DMX-ELDO

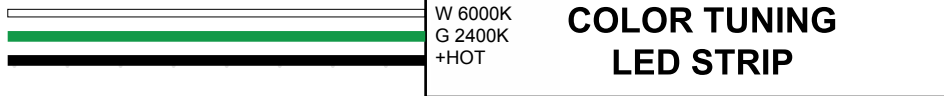
LINEARdrive 100/S

Constant Voltage DMX/DALI LED Driver

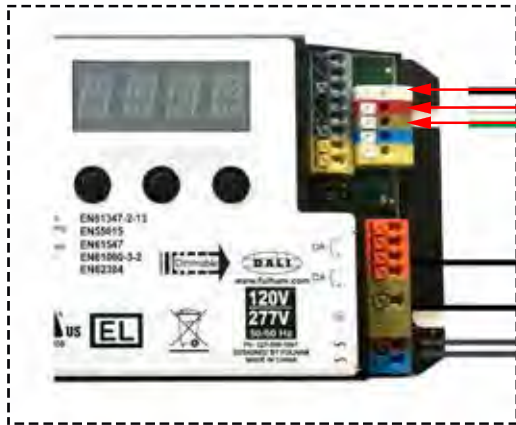
WITH ENCLOSURE

COLOR TUNING LightPanel System Color Coded Wiring Legend

COLOR CODED WIRING



SINGLE PANELS TO ONE DRIVER



CONNECT TO WHITE BOX
CONNECT TO RED BOX
CONNECT TO GREEN BOX

B BLACK CABLE "HOT" POSITIVE (++)
W WHITE CABLE 6000K (COOL)
G GREEN CABLE 2400K (WARM)

24/12V
wall Input

DMX Controller

eos COLOR TUNING
LightPanel System

LABEL COLOR CODED WIRING





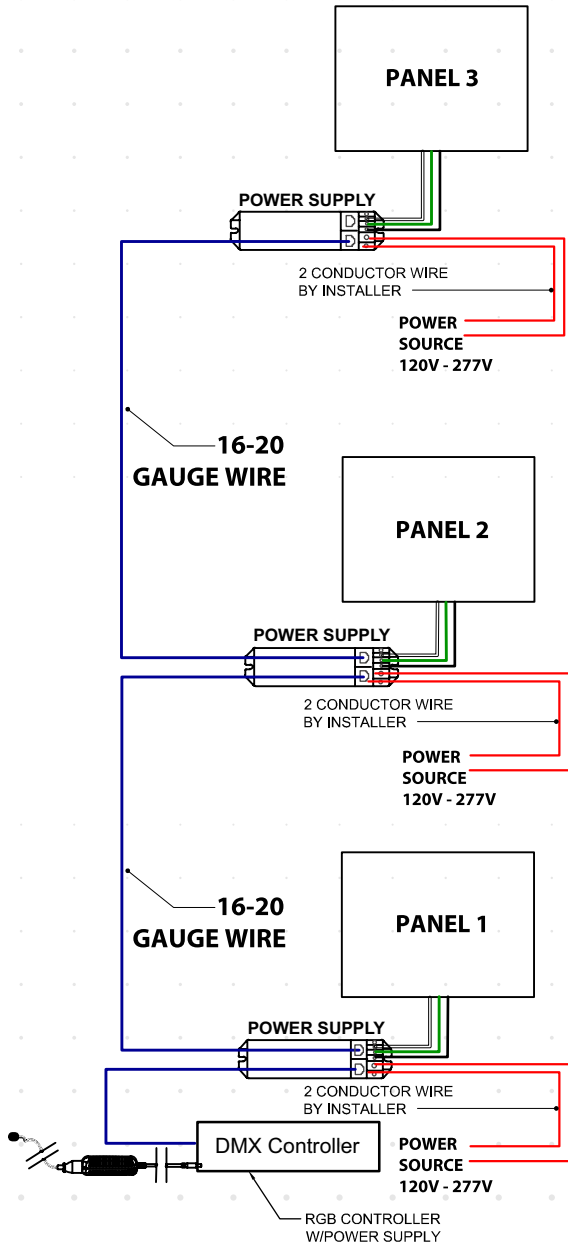
EOS-96-24V-DMX-ELDO

LINEARdrive 100/S

Constant Voltage DMX/DALI LED Driver

WITH ENCLOSURE

COLOR TUNING LightPanels Daisy Chained with Power Supply



Multiple COLOR TUNING LightPanels to One Driver

