



Fabrik Media Frame FL18D



A Complete Solution for Walls and Ceilings:

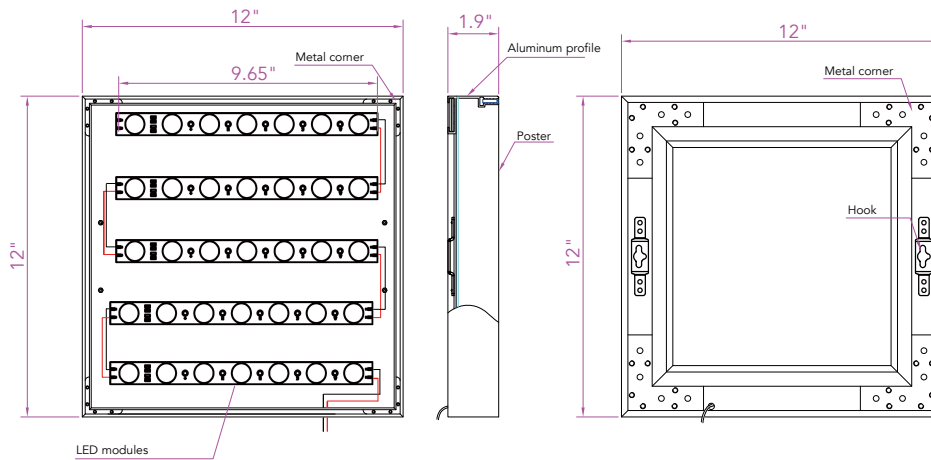
- White or Printed Stretch Fabric
- RGBW color option or single color option available
- Single Sided
- Multiple Mounting options
- 24VDC
- Indoor Rated



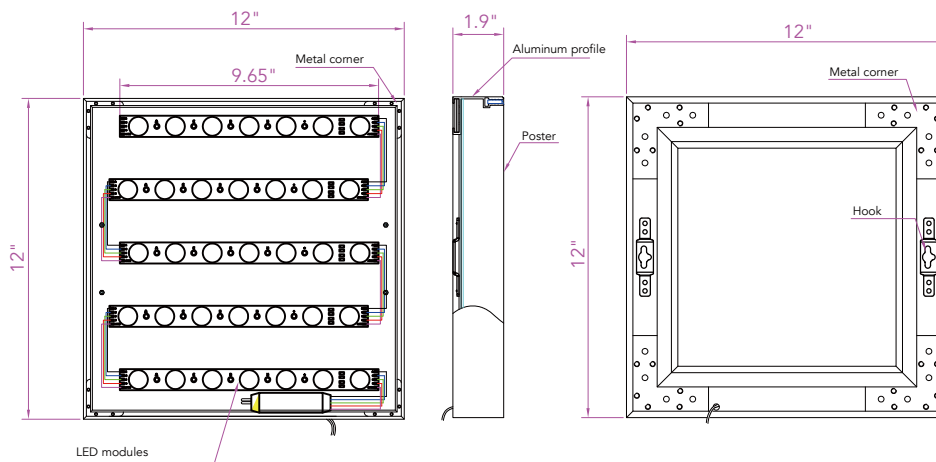
Max sizes:
60" x 120" for wall applications
39" x 120" for ceiling applications (to prevent sagging)

Backlighting examples:

White



Color



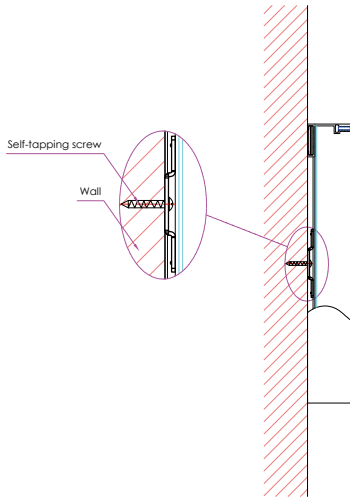


Fabrik Media Frame FL18D

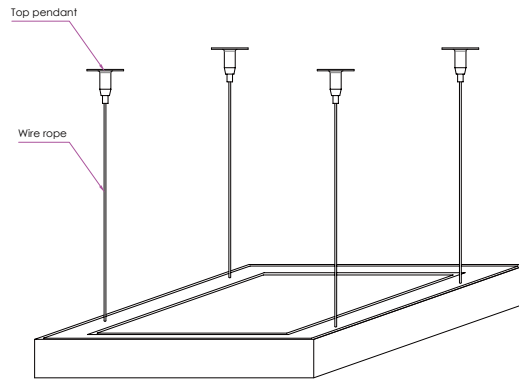


Installation methods:

①



②



Added Details::

- Thickness of 48.2mm (1.9"). This does not provide enough space for LEDs to be allocated on the perimeter of the profile (Aluminum bar LEDs are larger). This only allows allocation of backlight module and, upon request, the use of magnetic LightPaper.
- Best for ceiling and wall mounting.
- Allows single color and RGBW; (color tuning only available with Magnetic LightPaper option.)

Nomenclature:

A	B	C1	C2	D	E	F	G	H	I	J
MODEL	VOLTAGE	DIMENSIONS TOP X SIDE (IN INCHES)		COLOR TEMP	POWER	MOUNTING	TRIM COLOR	FINISH	POWER SUPPLY	SIDES LIT
FL18D	24	C1x C2		RGB27W	SP	SM	AL	WSF	010V	SS

A MODEL

FL18D - Fabrik Luminaire
(Media Frame)

B VOLTAGE

24 - 24VDC (w/UNV
120-277 Driver)

C DIMENSIONS

C1 - Top in Inches
C2 - Side in Inches

D COLOR TEMP

RGB27W - RGB + 2700K
RGB30W - RGB + 3000K
RGB40W - RGB + 4000K
RGB60W - RGB + 6000K
27W - 2700W
30W - 3000W
40W - 4000W
60W - 6000W

E POWER

SP - Standard Power

F MOUNTING

SM - Surface Mount
PM - Pendant Mount
TR - Threaded Rod

G TRIM COLOR

AL - Aluminum (Standard)
BL - Black
WH - White
CS - Custom

H FINISH

WSF - White Stretch Fabric
PSF - Printed Stretch Fabric

I POWER SUPPLY

010V - 0-10V
ELV - Electronic Low Voltage
DMX - DMX/DALI
PI - Plug In
DPI - Dimmable Plug In

J SIDES LIT

SS - Single Side