



Fabrik Media Frame FL55

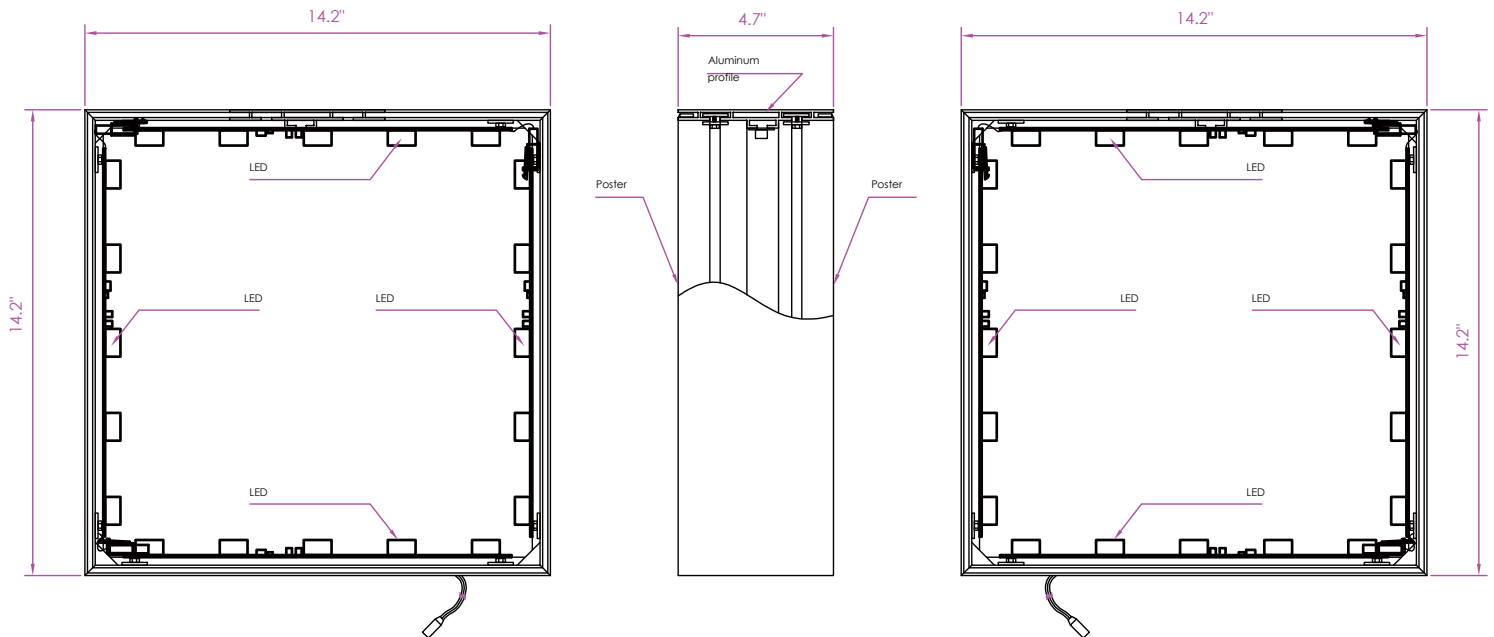


A Complete Solution for Walls and Ceilings:

- White or Printed Stretch Fabric
- Dedicated White in various Kelvin temps
- Single or Double Sided
- Multiple Mounting options
- 24VDC
- Indoor Rated
- Max size: 10' width (120") x 20' length (240"); please inquire about larger sizes



Side Lighting:



Added Details:

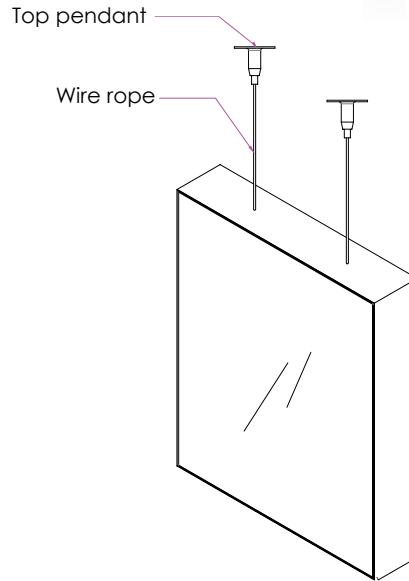
- Thickness is 120mm (4.75") which allows for LEDs along the perimeter of the profile so that fabric can be placed on both sides of the fixture (similar to our crystal light panels, with the exception of the see through).
- Allows only single color along perimeter of profile
- High powered LED strips, as intended use is for large dimensions



Fabrik Media Frame FL55



Installation method:



Nomenclature:

A	B	C1	C2	D	E	F	G	H	I	J	K
MODEL	VOLTAGE	DIMENSIONS TOP X SIDE (IN INCHES)		# of LED SIDES	COLOR TEMP	POWER	MOUNTING	TRIM COLOR	FINISH	POWER SUPPLY	SIDES LIT
FL55	24	C1x C2		1SL	2700K	HP	SM	AL	WSF	010V	SS

A MODEL

FL55 - Fabrik Luminaire
(Media Frame)

B VOLTAGE

24 - 24VDC (w/UNV
120-277 Driver)

C DIMENSIONS

C1 - Top in Inches
C2 - Side in Inches

D # of LED SIDES

1SL - 1 Side of LEDs
2SL - 2 Sides of LEDs

E COLOR TEMP

2400K - CCT
2700K - CCT
3000K - CCT
3500K - CCT
4000K - CCT
6000K - CCT

F POWER

HP - High Power

G MOUNTING

SM - Surface Mount
PM - Pendant Mount
TR - Threaded Rod

H TRIM COLOR

AL - Aluminum (Standard)
BL - Black
WH - White
CS - Custom

I FINISH

WSF - White Stretch Fabric
PSF - Printed Stretch Fabric

J POWER SUPPLY

010V - 0-10V
ELV - Electronic Low Voltage
PI - Plug In
DPI - Dimmable Plug In

K SIDES LIT

SS - Single Side
DS - Double Side