



OUTDOOR CLOUD LUMINAIRE

The **OUTDOOR CLOUD LUMINAIRE** is an IP65 rated squared ceiling fixture with a clean modern aesthetic for outdoor or damp locations. Available in glossy and matte finish options.

The **OUTDOOR CLOUD LUMINAIRE** can be suspended or used as an aircraft cable suspended or flush mounted ceiling fixture.

Suitable for the following applications:



Hospitality



Commercial Interior



Restaurants



Bar



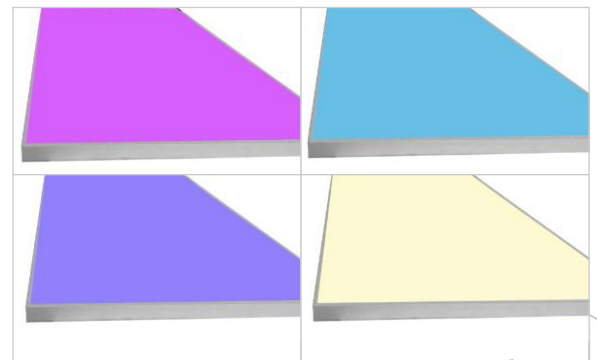
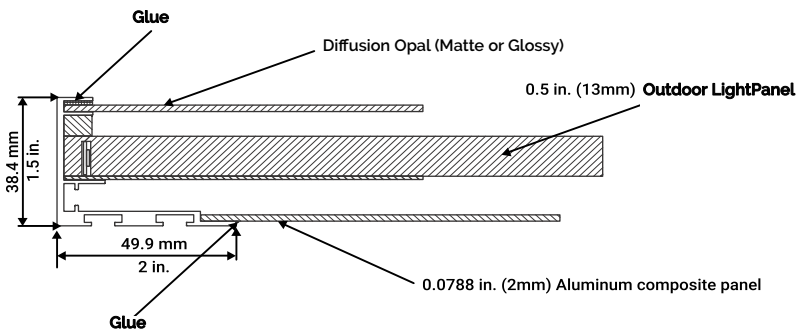
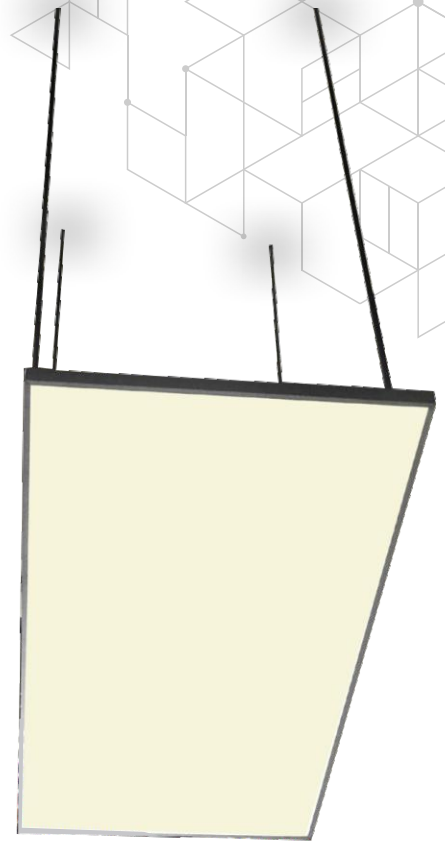
Residential



Retail



Healthcare



RGBW Option

FEATURES :

- Single Sided Illumination
- Medium and Small Sizes
- Low Power
- Easy Installation and assembly with standoffs.



General Specifications

LIGHT WEB TECHNOLOGY™ :

3D etched patterns to evenly distribute light throughout the panel. Patterns available are GRID, DOT and MICRODOT™

THICKNESS:

1-1/2"

POWER OPTIONS:

24VDC Standard and 24VDC High Power

MAX DIMENSIONS

96"x48"

DRIVER INPUT VOLTAGE :

100V TO 480V

LONG LIFE :

Over 50,000 hours = Nearly 12 years based on 12 hours a day. Once installed, the LightPanel System is virtually maintenance free.

WATTAGE :

4.3 W/Ft. - 24V Standard Power (Optional: 12V)
5 W/ Ft. - 24V - High Power
*ask eos specialist for information on RGB, RGBW and Color Tuning options.

DIMMABLE :

The system is dimmable to <10% when matched with Dimmable Power Supplies

LEDs :

ANSI Binned LEDs from Tier 1 Suppliers
LED CRI > 80, 95+ Premium option
LED CRT - 1800K - 7500K, RGBW, RGB, Tunable, UV

WIRE GAUGE:

20GA Wiring for White and Color Tuning Panels, 24GA for Color

DAMP LOCATION :

All Outdoor LightPanels are Damp Location Rated (IP65) when driven with a Class 2 Power Supply. Predrilled holes on outdoor LightPanels will reduce IP rating.

SERVICE AND INSTALLATION :

Outdoor Cloud Luminaires come with standard keyhole surface mounts, optional suspension mounts are also available.



Back of CLOUD MEDIA FRAME



Front of CLOUD MEDIA FRAME



Suspended CLOUD MEDIA FRAME by rigid poles

Optional Specifications



COMPATIBLE POWER SUPPLIES :

- 0-10V dimming • DMX/DALI
- Electronic low voltage (ELV)
- RF Dimmable Plug In
- Inline Dimmable Plug-In



OUTPUT OPTIONS:

24V Standard Power or 24V High Power available. 12V available upon request



COLOR TEMPERATURES :

- 1800K • 2400K • 2700K • 3000K
- 3500K • 4000K • 5000K
- 6000K • 6500K • 7500K
- UV (Ultraviolet) • RGB, RGBW and Color Tuning options available

*formerly 5300K



APPROVALS AND CERTIFICATIONS:

The System is UL listed for Architectural applications and UL recognized for signage. All power supplies are UL / ETL listed.

<https://eoslight.com/user-guide/>



DOWNLOAD OUR USER GUIDE FOR WIRING & INSTALLATION INSTRUCTIONS





Product Specification Ordering Form

NAME:	PROJECT NAME:	ADDRESS:
PHONE:	PROJECT LOCATION:	CITY:
EMAIL:	ANTICIPATED DELIVERY DATE:	ZIP CODE:
COMPANY NAME:	PROJECT SPECIFIER:	RUSH PROJECT: <input type="checkbox"/> Yes <input type="checkbox"/> No

QTY	FIXTURE TYPE	VOLTAGE	DIMENSIONS (INCHES) TOP SIDE		LED SIDES	COLOR TEMP	LED POWER	CORD LENGTH	CORD LOCATION	CORD COLOR	POWER SUPPLY
5	WC	24V	48	50	4SL	2700	SP	CC6	TL	BC	HW

A FIXTURE TYPE

LUMINAIRE

WC - OUTDOOR CLOUD LUMINAIRE

B VOLTAGE

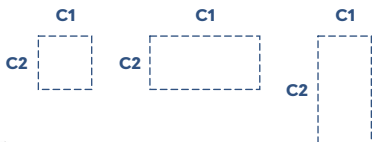
24V - 24V (Standard)
12V - 12V (Optional)

C DIMENSIONS

(Generated by Client)

C1- Top Dimension

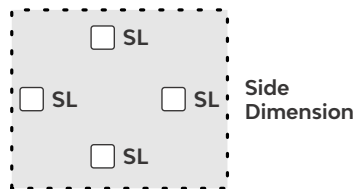
C2- Side Dimension



D LED SIDES

1SL - One Side
2SL - Two Sides
3SL - Three Sides
4SL - Four Sides

Top Dimension



*Please note, the longest length is typically the LED side when selecting 1SL or 2SL

E COLOR TEMP

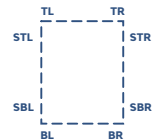
1800 - 1800K	6500 - 6500K
2400 - 2400K	7500 - 7500K
2700 - 2700K	UV - Ultraviolet
3000 - 3000K	RGB - Color Changing
3500 - 3500K	RGBW - Color Changing + White (6000K, 4000K, 2700K)
4000 - 4000K	
5000 - 5000K	CT - Color Tuning (2400K to 6000K)
6000 - 6000K	

F LED POWER

SP- Standard Power **PSP**- Premium Standard Power (95+ CRI)
HP- High Power **PHP**- Premium High Power (95+ CRI)

G POWER CORD LENGTH

SC - Standard -9.8 ft.
CC_ - Custom Length ____ ft



H POWER CORD EXIT

TL - Top Left Corner **BL** - Bottom Left Corner
TR - Top Right Corner **BR** - Bottom Right Corner
STL - Side Top Left Corner **SBL** - Side Bottom Left Corner
STR - Side Top Right Corner **SBR** - Side Bottom Right Corner

I POWER CORD COLOR

BC - Black **WC** - White

J POWER SUPPLY INFO

010V - 010V Dimmable Hardwire
ELV - Electronic Low Voltage Dimmable Hardwire
DMX - DMX /DALI
PI - Plug In, DC Jack
DPI - Dimmable Plug in w/ remote
HW - Non-Dimmable Hardwired

